

**IOM
IMMIGRATION AND BORDER
MANAGEMENT (IBM) Unit**



**PROPOSED CONSTRUCTION OF IND
KISMAYO, HQ.**



FEBRUARY 2022
INDEX SHEET

IND KISMAYO-HQ, JUBALAND.

Sheet No.	Content
G-01	Index Sheet
A-01	Site Location
A-02	Master Plan / Roof/drainage layout
A-03	Ground plan
A-04	Foundation layout
A-05	Foundation detail
A-06	Elevation 1&2
A-07	Elevation 3&4
A-08	Beam Layout
A-09	Beam detail
A-10	Staircase detail
A-11	Electrical plan
A-12	Drainage & Water supply layout
A-13	Finishing schedule
A-14	Security tower
A-15	Boom barrier
A-16	Solar panels/details
A-17	Septic tank
3D-01	3D-views
3D-02	3D-views
3D-03	3D-views
3D-04	3D-views
3D-05	3D-views
3D-06	3D-views
3D-07	3D-views
3D-08	3D-views
3D-09	3D-views
3D-10	3D-views
3D-11	3D-views

**PROPOSED THE
NEW IND
KISMAYO, HQ.**

**EXISTING OLD
DAMAGED
BUILDING TO
REMAIN**

**KISMAYO MAIN
ROAD.**

**KISMAYO
GENERAL
HOSPITAL**



Notes

1. All dimensions are to be checked on site. Any discrepancy in dimensions is to be reported to the architect before any work commences. The Architect's drawings and specifications over rule any other. The Structural Engineers detail drawings.
2. All construction work to comply with the international standards codes protection.
3. The PV denotes permanent ventilation and must be provided above all doors and windows where indicated.
4. All walls less than 200mm thick are to be reinforced with hoop iron sheet every alternate course.
5. All reinforced concrete works to be done according to structural detail drawings

No:	Date:	Description:
REVISION		

Implemented by:



International Organization for Migration (IOM)
The UN Migration Agency

Client:



Project Title:

PROPOSED CONSTRUCTION OF IND
KISMAYO HQ BUILDING, JUBBALAND
STATE - SOMALIA

Drawing Title:

Site location

SCALE: **AS SHOWN**

DATE: **FEB 2022**

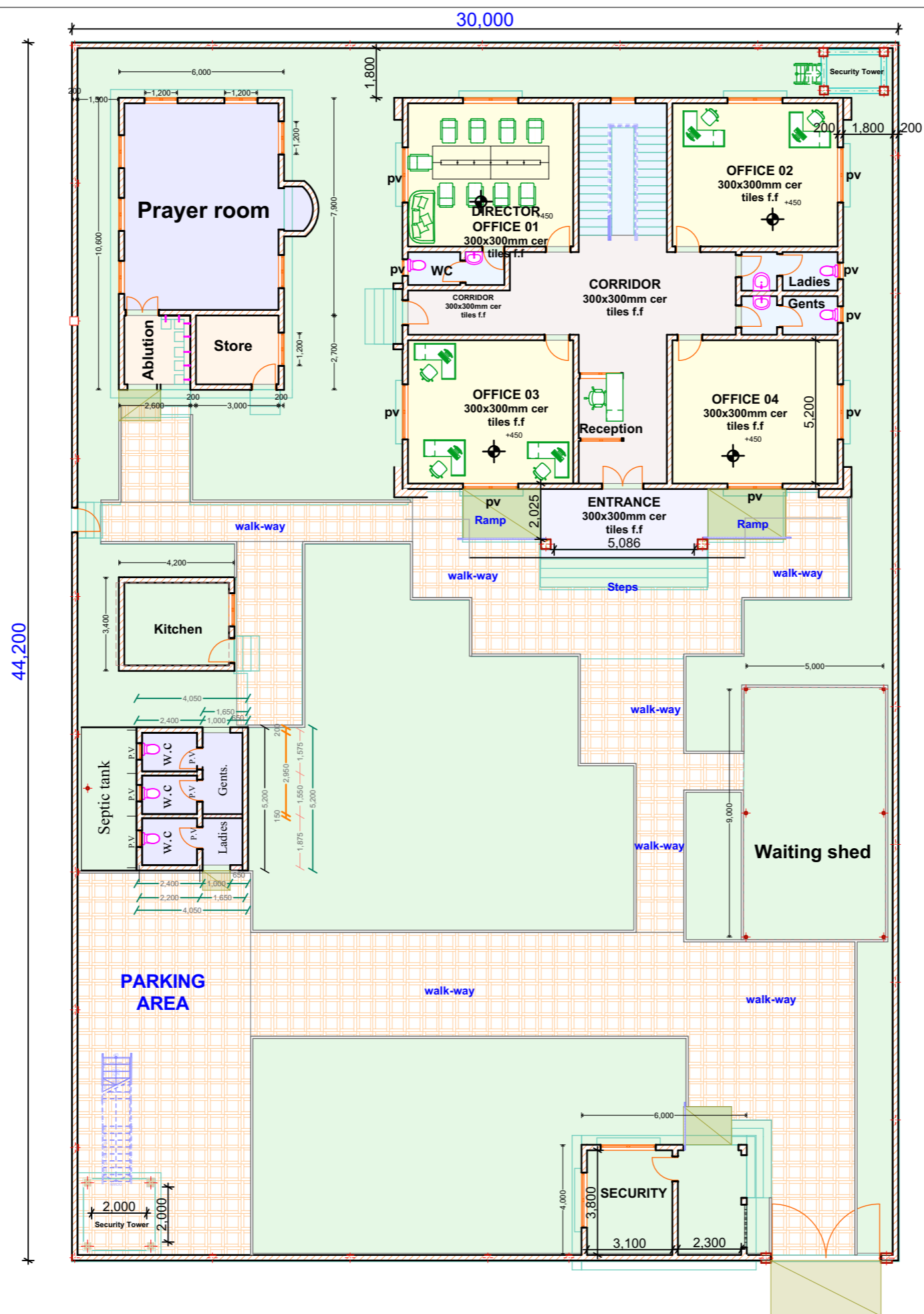
DRAWN BY:

REVIEWED BY:

Sheet No.

A3

Google Earth



Notes

1. All dimensions are to be checked on site. Any discrepancy in dimensions is to be reported to the architect before any work commences. The Architect's drawings and specifications over rule any other. The Structural Engineers detail drawings.
2. All construction work to comply with the international standards codes protection.
3. The PV denotes permanent ventilation and must be provided above all doors and windows where indicated.
4. All walls less than 200mm thick are to be reinforced with hoop iron sheet every alternate course.
5. All reinforced concrete works to be done according to structural detail drawings.

No:	Date:	Description:
REVISION		

Implemented by:

International Organization for Migration (IOM)
The UN Migration Agency

Client:

Project Title:
PROPOSED CONSTRUCTION OF IND KISMAYO HQ BUILDING, JUBALAND STATE - SOMALIA

Drawing Title:
MASTER PLAN

SCALE: **AS SHOWN**

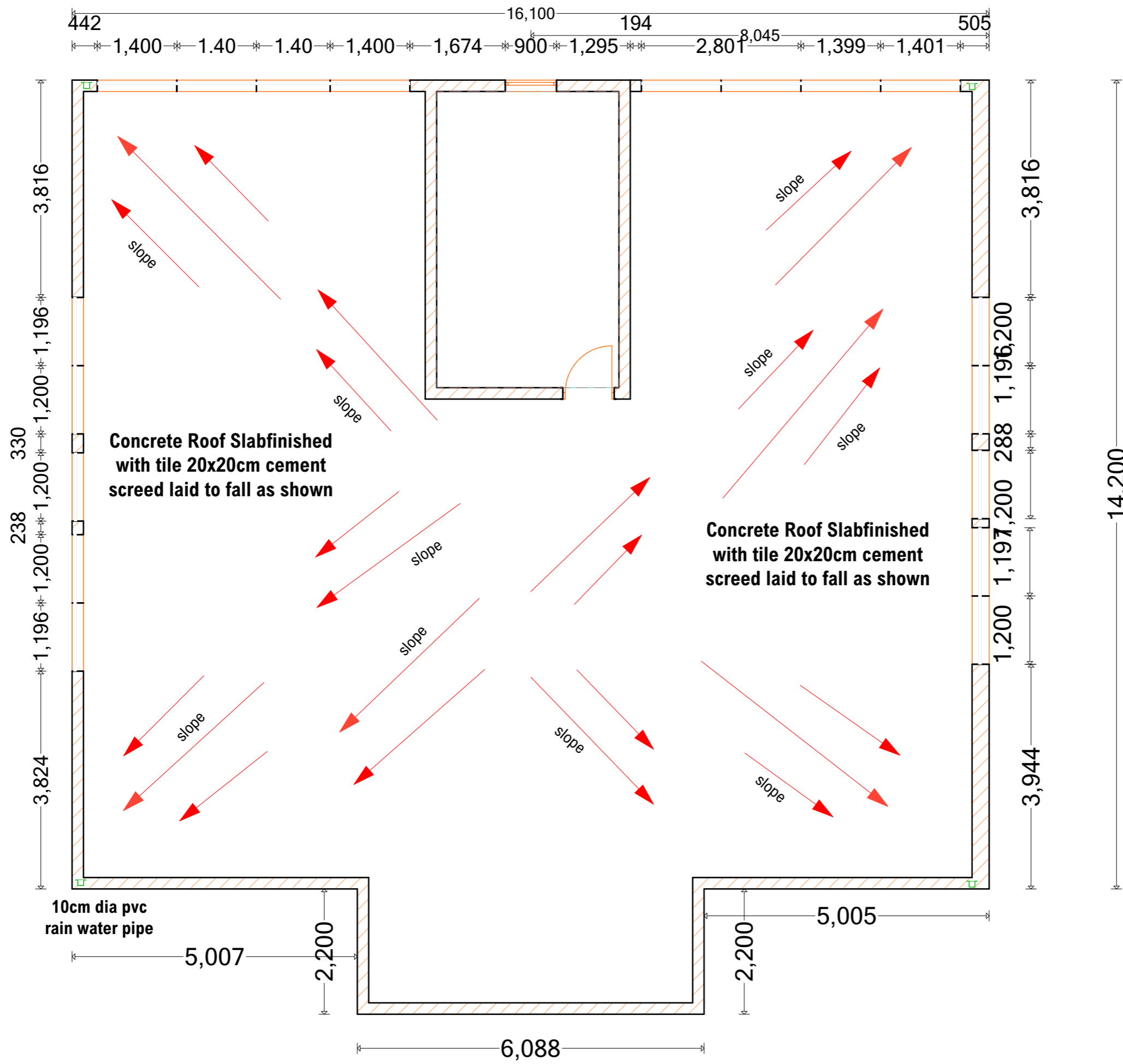
DATE: **FEB 2022**

DRAWN BY:

REVIEWED BY:

Sheet No.

A3



Notes

1. All dimensions are to be checked on site. Any discrepancy in dimensions is to be reported to the architect before any work commences. The Architect's drawings and specifications over rule any other, the Structural Engineers detail drawings.
2. All construction work to comply with the international standards codes protection.
3. The PV denotes permanent ventilation and must be provided above all doors and windows where indicated.
4. All walls less than 200mm thick are to be reinforced with hoop iron sheet every alternate course.
5. All reinforced concrete works to be done according to structural detail drawings

No:	Date:	Description:
REVISION		

Implemented by:

International Organization for Migration (IOM)
The UN Migration Agency

Client:

The Federal Republic of Somalia
Jubbaland State of Somalia

Project Title:
PROPOSED CONSTRUCTION OF IND KISMAYO HQ BUILDING, JUBBALAND STATE - SOMALIA

Drawing Title:
TERRANCE PLAN

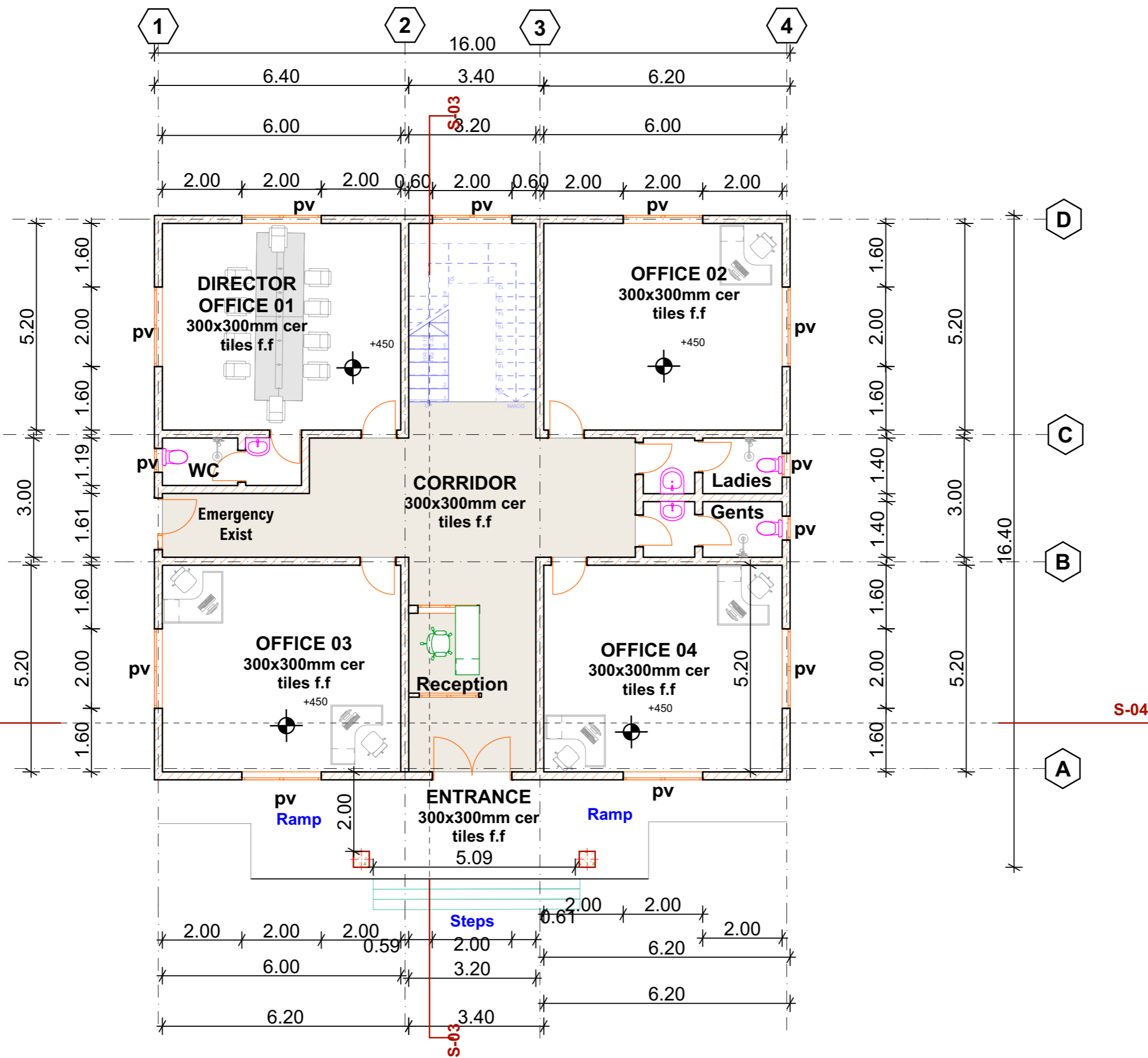
SCALE: **AS SHOWN**

DATE: **FEB 2022**

DRAWN BY:

REVIEWED BY:

Sheet No.
A3



Notes

1. All dimensions are to be checked on site. Any discrepancy in dimensions is to be reported to the architect before any work commences. The Architect's drawings and specifications over rule any other. The Structural Engineers detail drawings.
2. All construction work to comply with the international standards codes protection.
3. The PV denotes permanent ventilation and must be provided above all doors and windows where indicated.
4. All walls less than 200mm thick are to be reinforced with hoop iron sheet every alternate course.
5. All reinforced concrete works to be done according to structural detail drawings

No:	Date:	Description:
REVISION		

Implemented by:

International Organization for Migration (IOM)
The UN Migration Agency

Client:

The Federal Republic of Somalia
Jubbaland State of Somalia

Project Title:
PROPOSED CONSTRUCTION OF IND KISMAYO HQ BUILDING, JUBBALAND STATE - SOMALIA

Drawing Title:
ROOF LAYOUT

SCALE: **AS SHOWN**

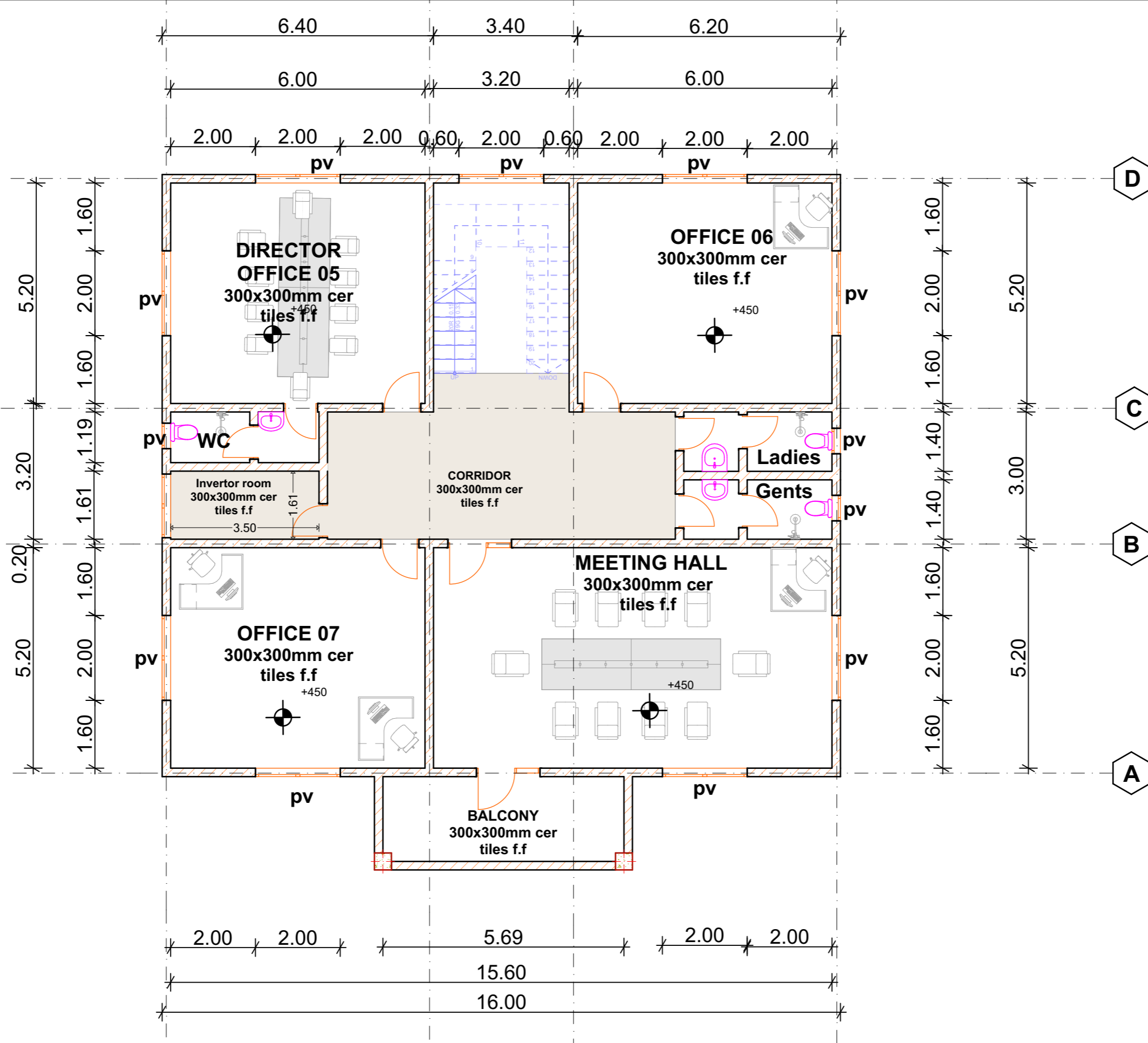
DATE: **FEB 2022**

DRAWN BY:

REVIEWED BY:

Sheet No.

A3



Notes

1. All dimensions are to be checked on site. Any discrepancy in dimensions is to be reported to the architect before any work commences. The Architect's drawings and specifications over rule any other. The Structural Engineers detail drawings.
2. All construction work to comply with the international standards codes protection.
3. The PV denotes permanent ventilation and must be provided above alldoors and windows where indicated.
4. All walls less than 200mm thick are to be reinforced with hoop iron sheet every alternate course.
5. All reinforced concrete works to be done according to structural detail drawings

No:	Date:	Description:
REVISION		

Implemented by:

International Organization for Migration (IOM)
The UN Migration Agency

Client:

Project Title:
PROPOSED CONSTRUCTION OF IND KISMAYO HQ BUILDING, JUBALAND STATE - SOMALIA

Drawing Title:

SCALE: **AS SHOWN**

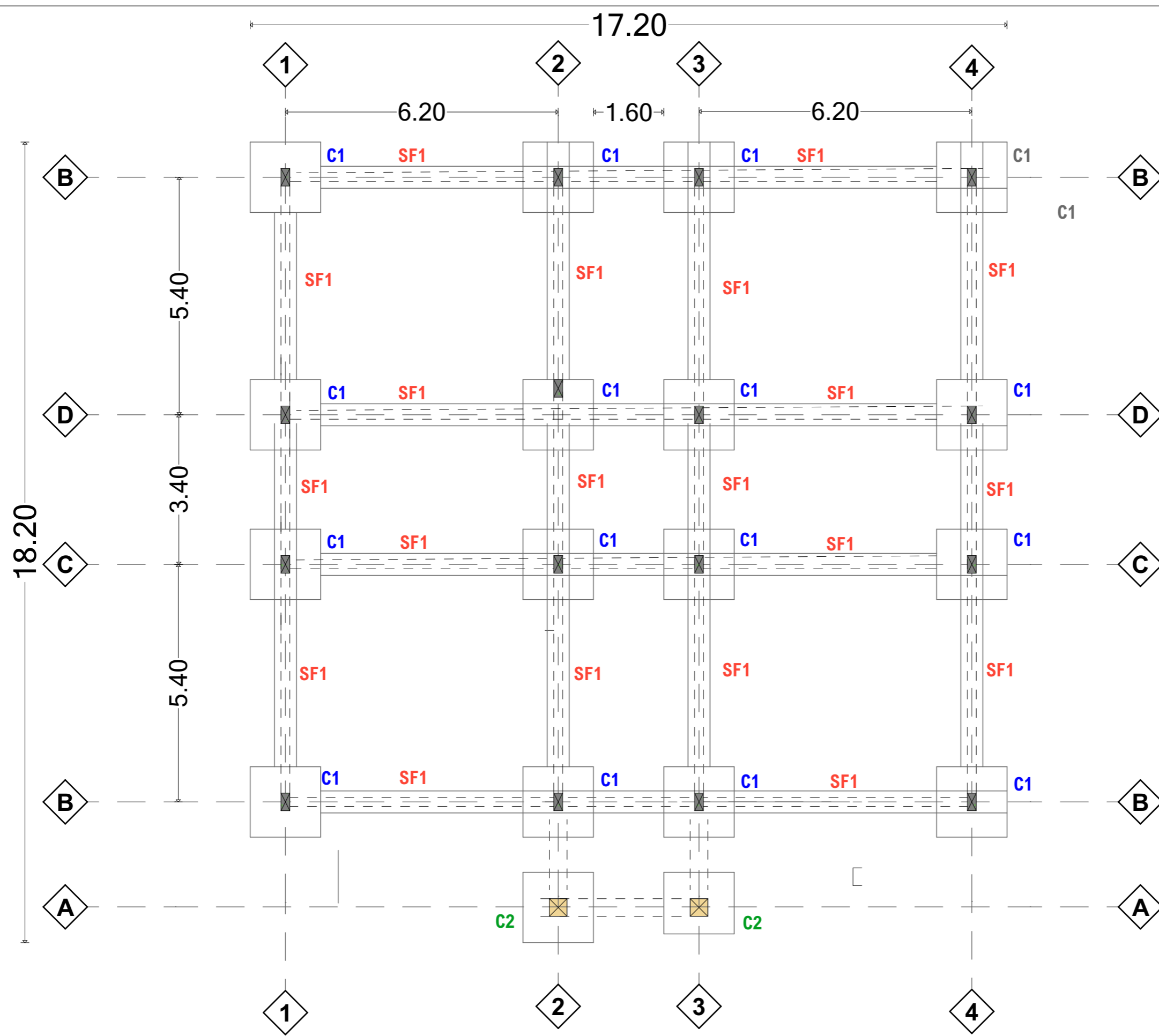
DATE: **FEB 2022**

DRAWN BY:

REVIEWED BY:

Sheet No.

A3



Notes

1. All dimensions are to be checked on site. Any discrepancy in dimensions is to be reported to the architect before any work commences. The Architect's drawings and specifications over rule any other. The Structural Engineers detail drawings.
2. All construction work to comply with the international standards codes protection.
3. The PV denotes permanent ventilation and must be provided above alldoors and windows where indicated.
4. All walls less than 200mm thick are to be reinforced with hoop iron sheet every alternate course.
5. All reinforced concrete works to be done according to structural detail drawings

No:	Date:	Description:
REVISION		

Implemented by:

International Organization for Migration (IOM)
The UN Migration Agency

Client:

Project Title:
PROPOSED CONSTRUCTION OF IND
KISMAYO HQ BUILDING, JUBBALAND
STATE - SOMALIA

Drawing Title:
FOUNDATION LAYOUT

SCALE: **AS SHOWN**

DATE: **FEB 2022**

DRAWN BY:

REVIEWED BY:

Sheet No.

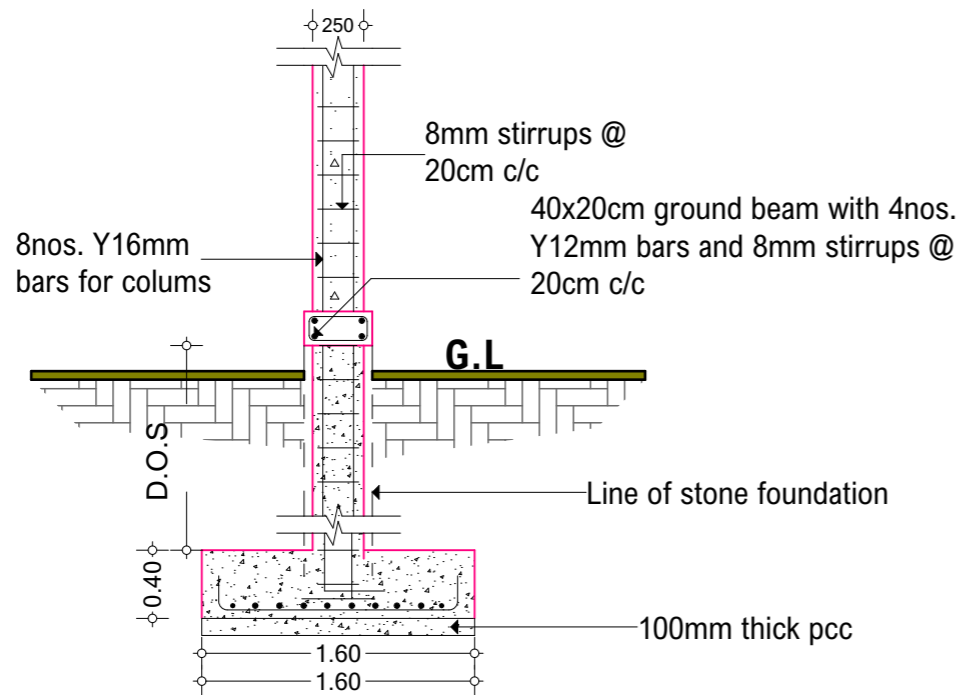
A3

FOUNDATION BASES SCHEDULE

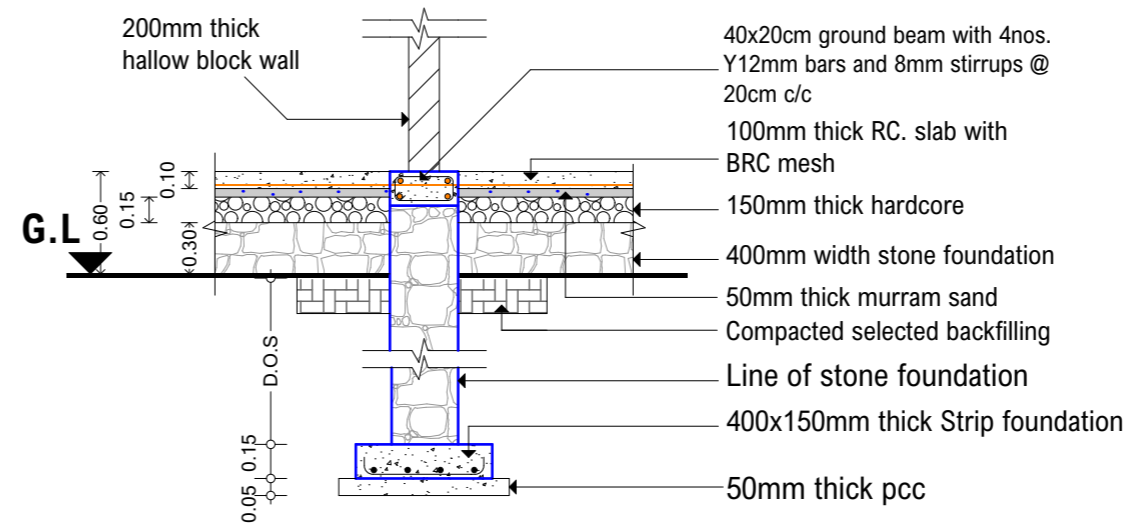
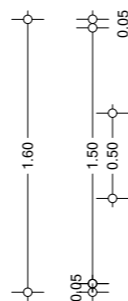
MEMBER MARKET	DESCRIPTION
B1 - COLUMN BASES	1600x1600x350 THK. COL. BASE
SF - STRIP FOUNDATION	400x200 TH. STRIP FOUNDATION

COLUMN SCHEDULE

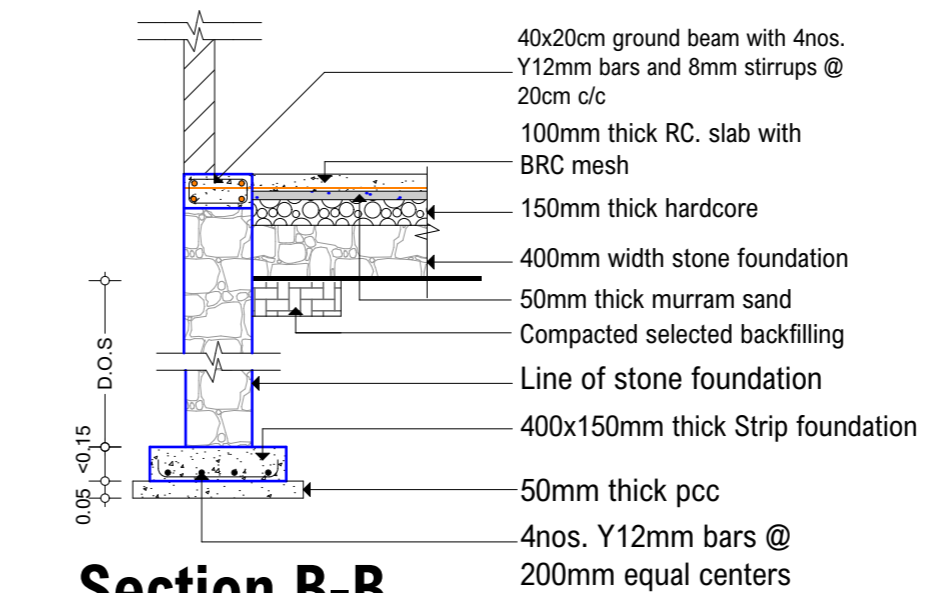
MEMBER MARKET	SIZE	Nos.
C1 - COLUMN	500x250	16
C2 - COLUMN	400x400	2



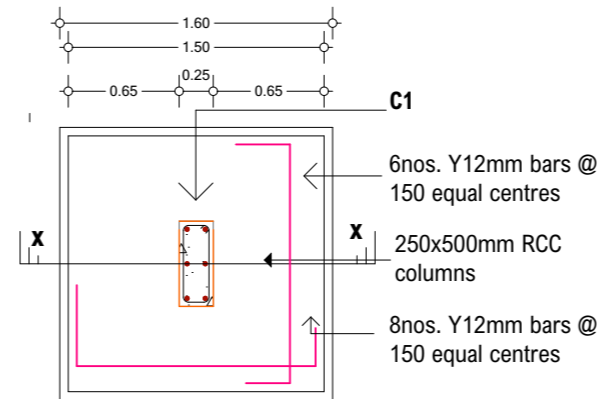
Section X-X



Section A-A



Section B-B



Typical footing plan B1

Notes

- All dimensions are to be checked on site. Any discrepancy in dimensions is to be reported to the architect before any work commences. The Architect's drawings and specifications over rule any other. The Structural Engineers detail drawings.
- All construction work to comply with the international standards codes protection.
- The PV denotes permanent ventilation and must be provided above all doors and windows where indicated.
- All walls less than 200mm thick are to be reinforced with hoop iron sheet every alternate course.
- All reinforced concrete works to be done according to structural detail drawings.

No:	Date:	Description:
REVISION		

Implemented by:

International Organization for Migration (IOM)
The UN Migration Agency

Client:

Project Title:
PROPOSED CONSTRUCTION OF IND KISMAYO HQ BUILDING, JUBBALAND STATE - SOMALIA

Drawing Title:
FOUNDATION DETAIL

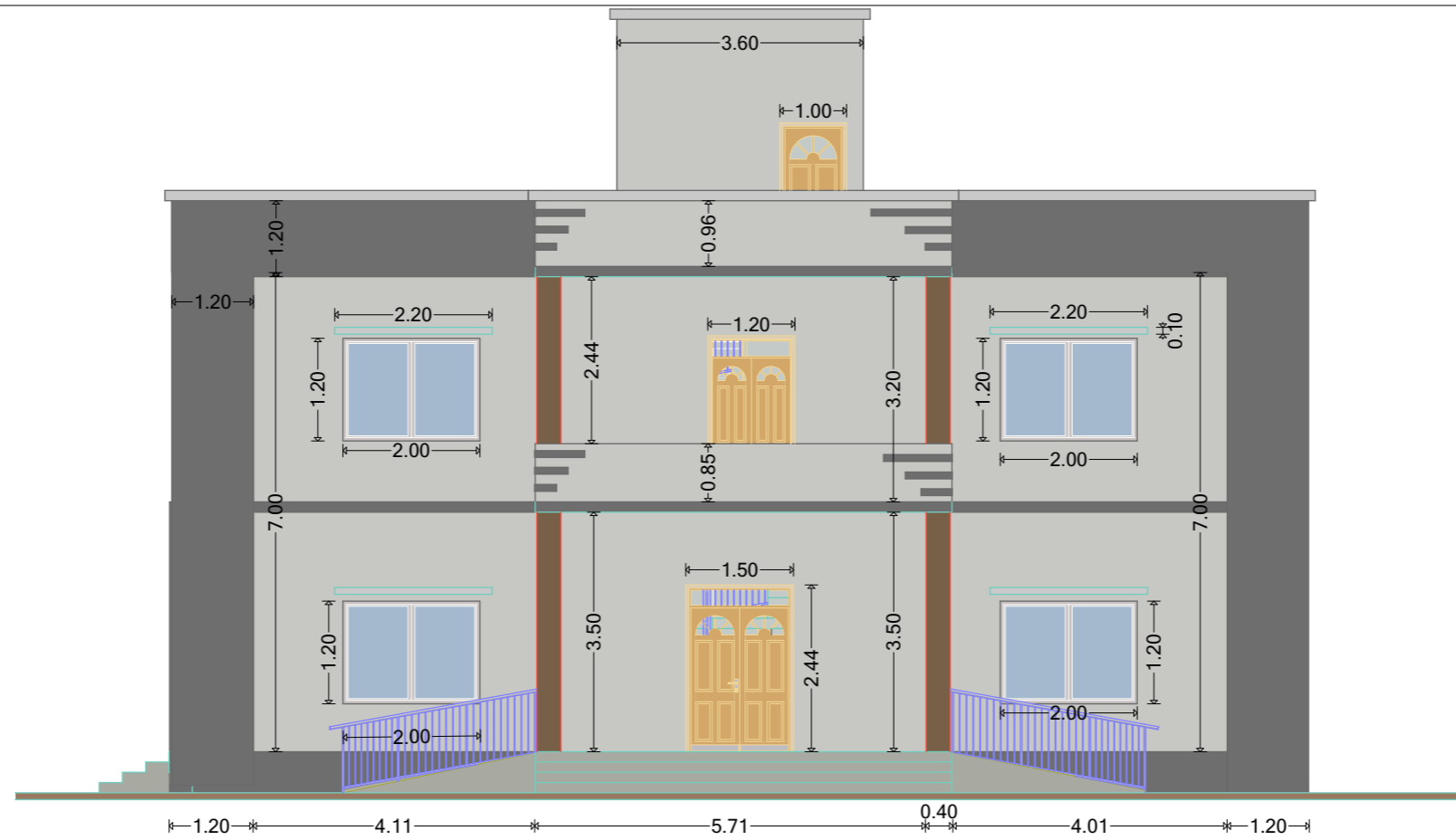
SCALE: **AS SHOWN**

DATE: **FEB 2022**

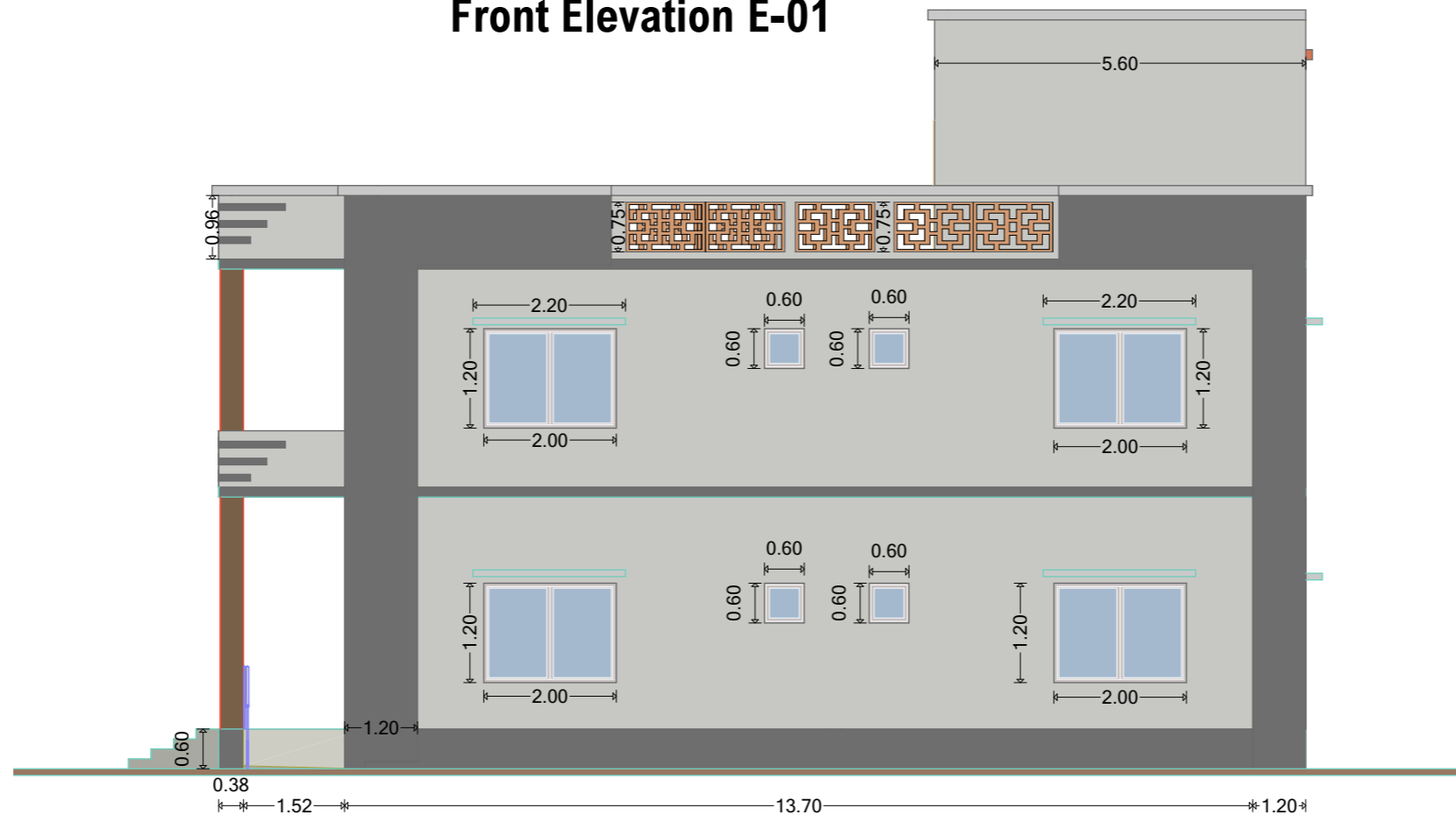
DRAWN BY:

REVIEWED BY:

Sheet No.



Front Elevation E-01



Right side Elevation E-02

Notes

1. All dimensions are to be checked on site. Any discrepancy in dimensions is to be reported to the architect before any work commences. The Architect's drawings and specifications over rule any other, the Structural Engineers detail drawings.
2. All construction work to comply with the international standards codes protection.
3. The PV denotes permanent ventilation and must be provided above all doors and windows where indicated.
4. All walls less than 200mm thick are to be reinforced with hoop iron sheet every alternate course.
5. All reinforced concrete works to be done according to structural detail drawings

No:	Date:	Description:
REVISION		

Implemented by:



International Organization for Migration (IOM)
The UN Migration Agency

Client:



Project Title:
**PROPOSED CONSTRUCTION OF IND
KISMAYO HQ BUILDING, JUBALAND
STATE - SOMALIA**

Drawing Title:
ELEVATION 1&2

SCALE: **AS SHOWN**

DATE: **FEB 2022**

DRAWN BY:

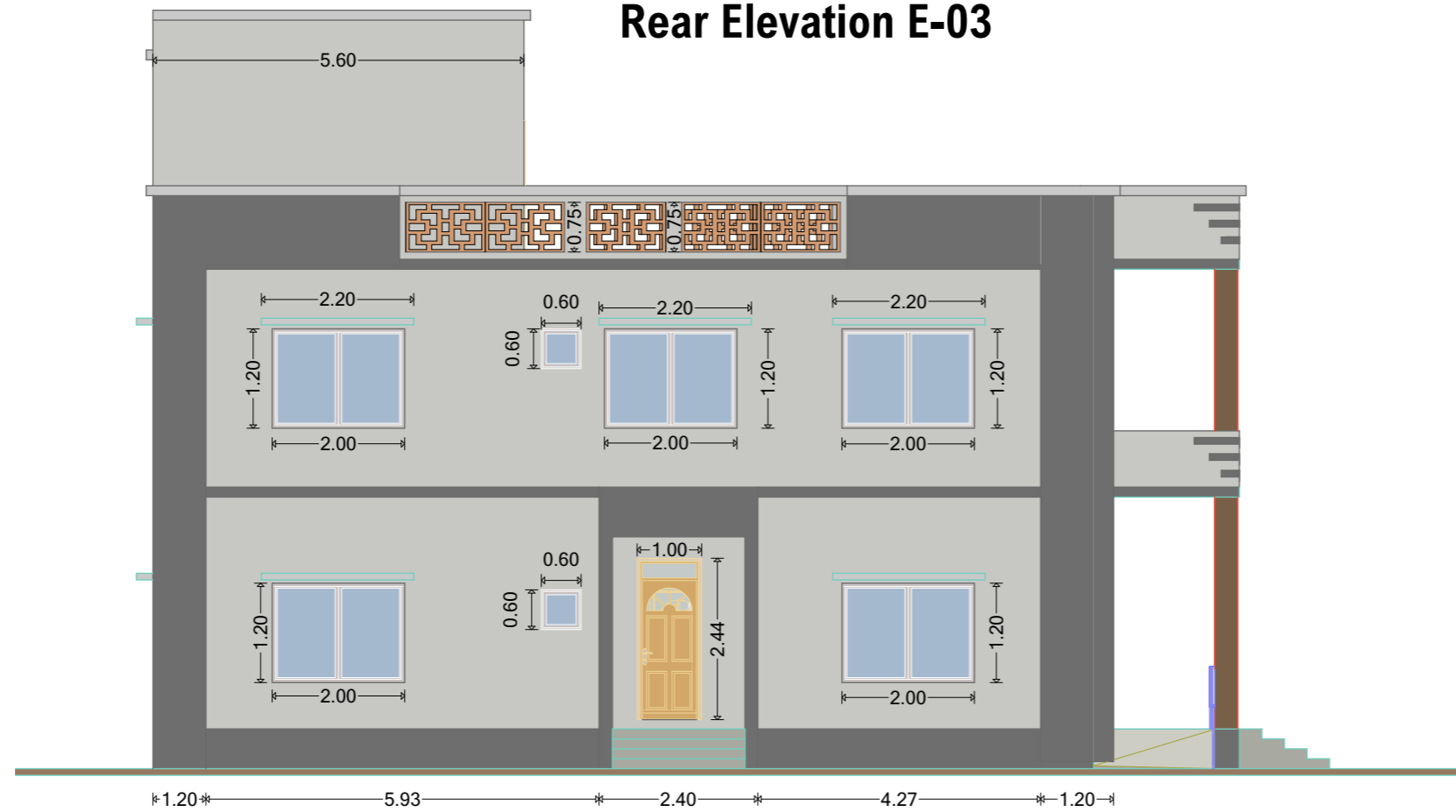
REVIEWED BY:

Sheet No.

A3



Rear Elevation E-03



Left side Elevation E-04

Notes

1. All dimensions are to be checked on site. Any discrepancy in dimensions is to be reported to the architect before any work commences. The Architect's drawings and specifications over rule any other, the Structural Engineers detail drawings.
2. All construction work to comply with the international standards codes protection.
3. The PV denotes permanent ventilation and must be provided above all doors and windows where indicated.
4. All walls less than 200mm thick are to be reinforced with hoop iron sheet every alternate course.
5. All reinforced concrete works to be done according to structural detail drawings

No:	Date:	Description:
REVISION		

Implemented by:

International Organization for Migration (IOM)
The UN Migration Agency

Client:

Project Title:
PROPOSED CONSTRUCTION OF IND KISMAYO HQ BUILDING, JUBBALAND STATE - SOMALIA

Drawing Title:
ELEVATION 3&4

SCALE: **AS SHOWN**

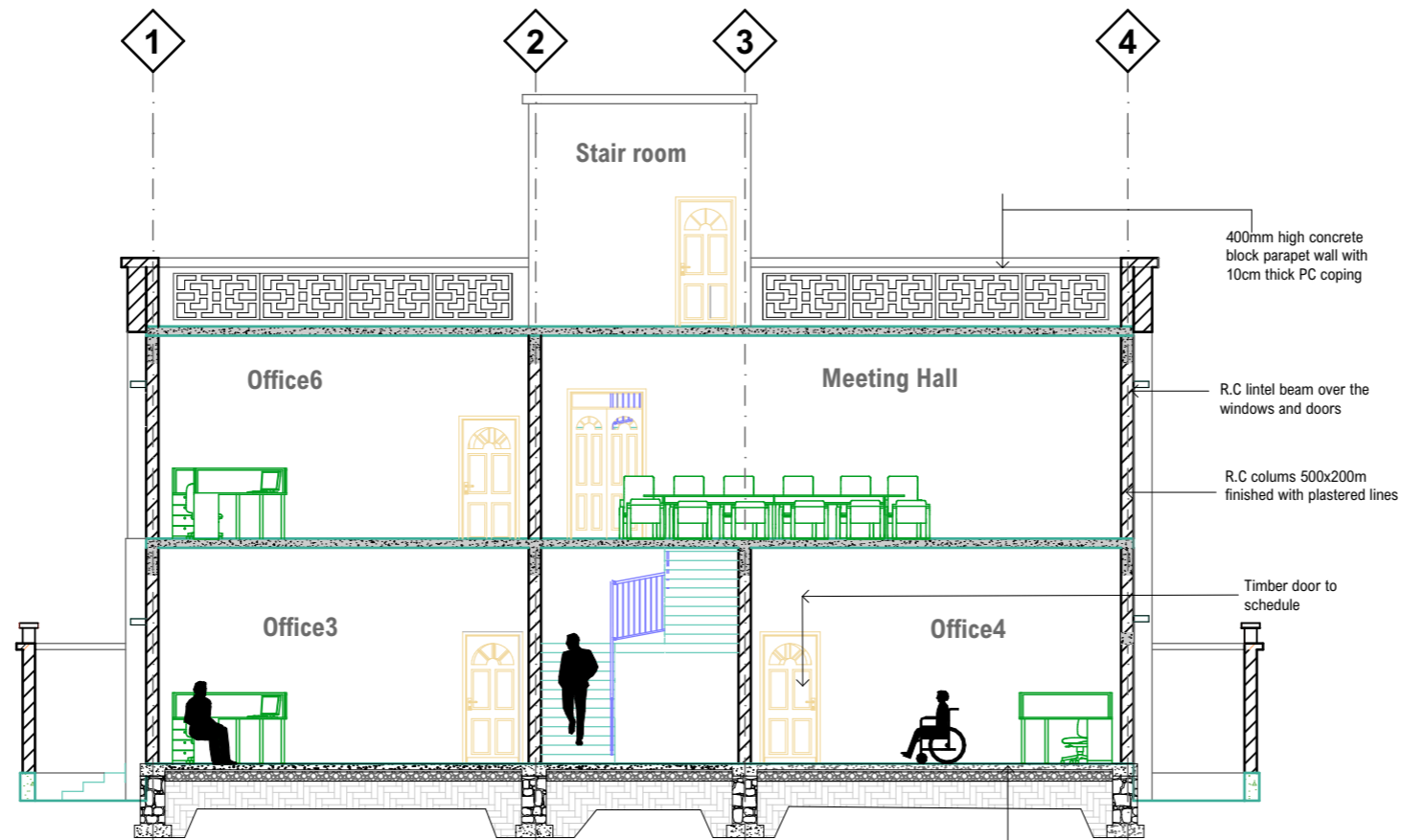
DATE: **FEB 2022**

DRAWN BY:

REVIEWED BY:

Sheet No.

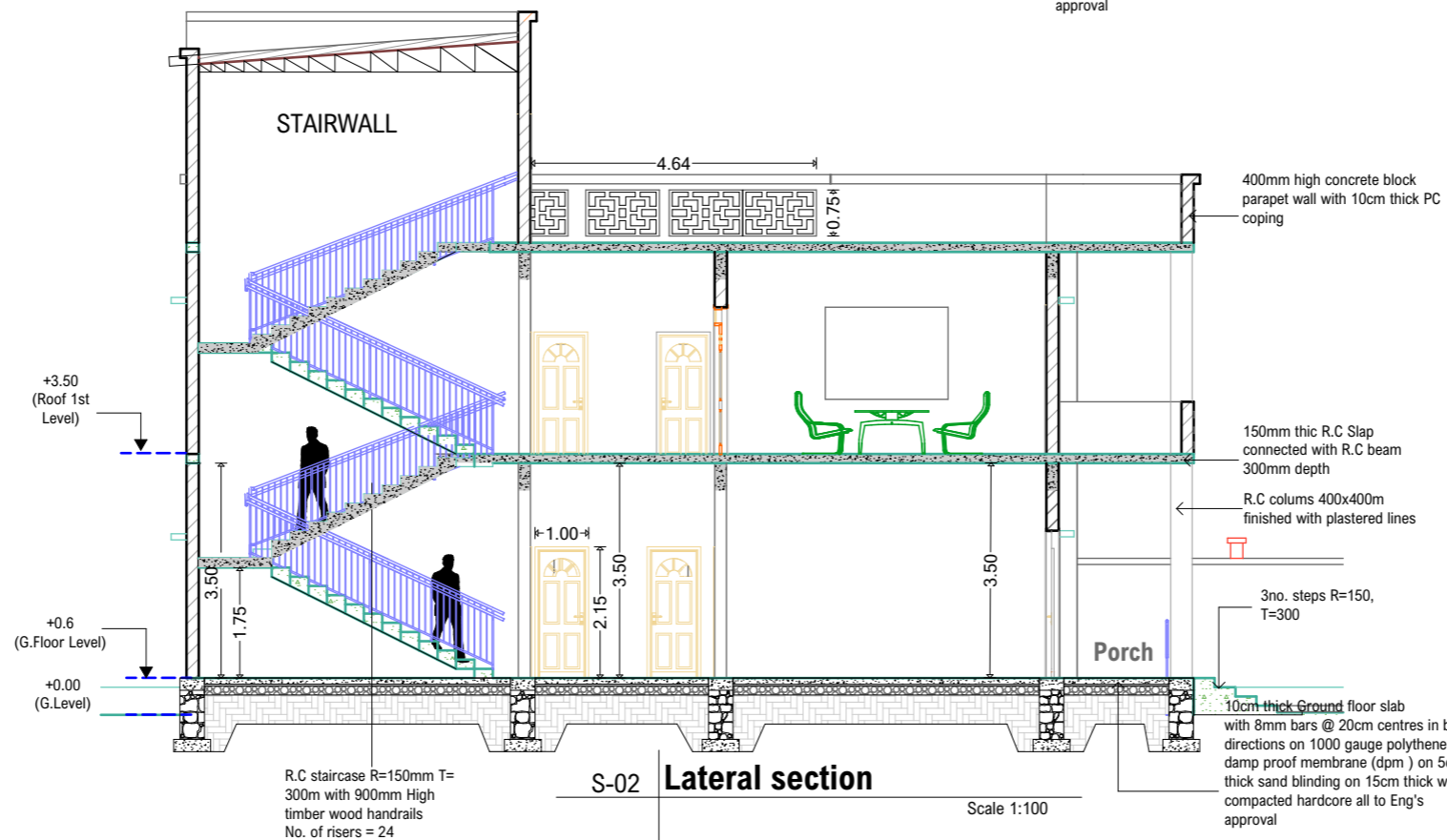
A3



S-01 Longitudinal section

Scale 1:100

10cm thick Ground floor slab with 8mm bars @ 20cm centres in both directions on 1000 gauge polythene damp proof membrane (dpm) on 5cm thick sand blinding on 15cm thick well compacted hardcore all to Eng's approval



S-02 Lateral section

Scale 1:100

R.C staircase R=150mm T=300mm with 900mm High timber wood handrails No. of risers = 24

10cm thick Ground floor slab with 8mm bars @ 20cm centres in both directions on 1000 gauge polythene damp proof membrane (dpm) on 5cm thick sand blinding on 15cm thick well compacted hardcore all to Eng's approval

Notes

1. All dimensions are to be checked on site. Any discrepancy in dimensions is to be reported to the architect before any work commences. The Architect's drawings and specifications over rule any other. The Structural Engineers detail drawings.
2. All construction work to comply with the international standards codes protection.
3. The PV denotes permanent ventilation and must be provided above all doors and windows where indicated.
4. All walls less than 200mm thick are to be reinforced with hoop iron sheet every alternate course.
5. All reinforced concrete works to be done according to structural detail drawings

No:	Date:	Description:
REVISION		

Implemented by:



International Organization for Migration (IOM)
The UN Migration Agency

Client:



Project Title:
PROPOSED CONSTRUCTION OF IND KISMAYO HQ BUILDING, JUBBALAND STATE - SOMALIA

Drawing Title:
SECTIONAL VIEW

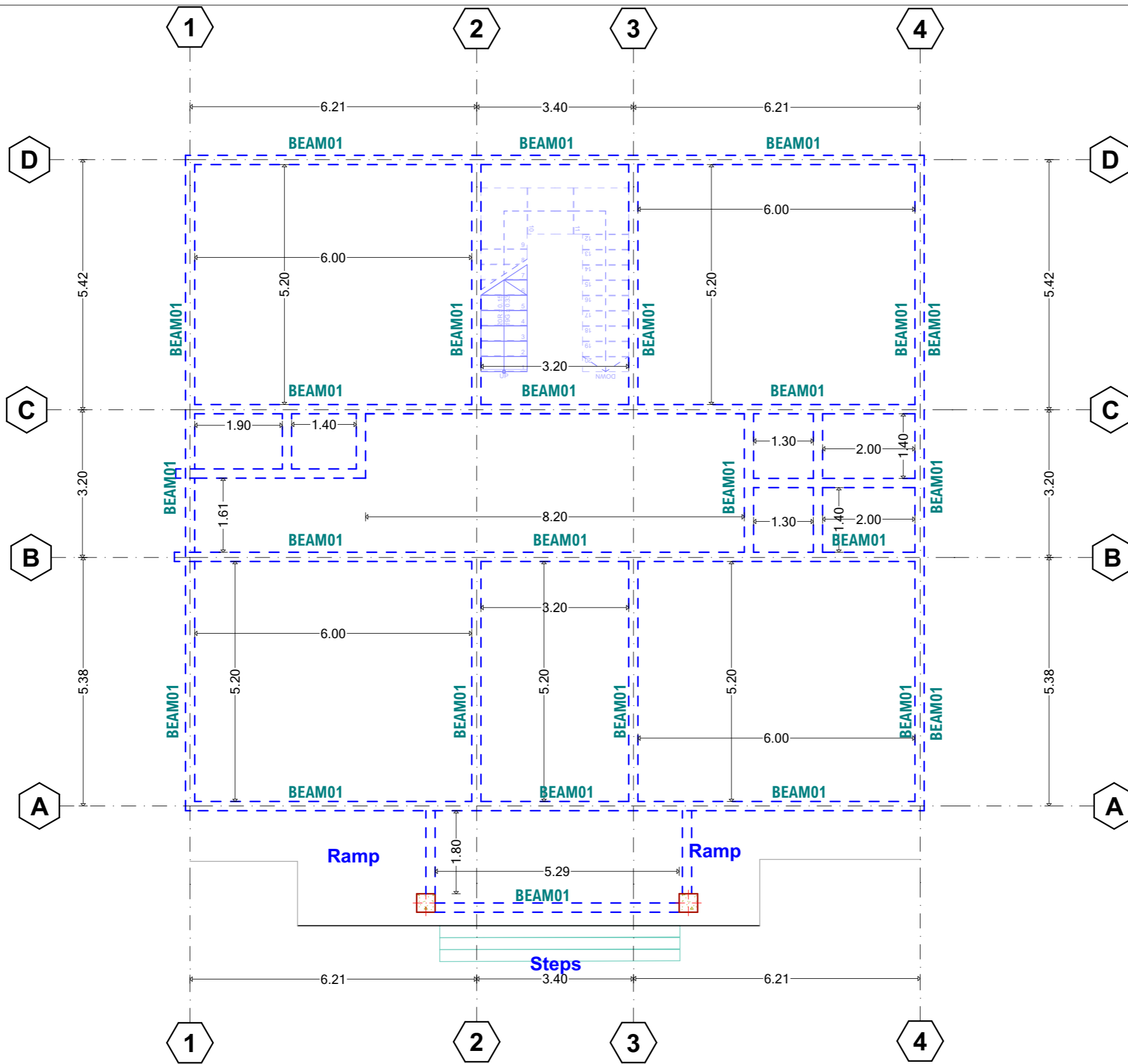
SCALE: **AS SHOWN**

DATE: **FEB 2022**

DRAWN BY:

REVIEWED BY:

Sheet No.



BEAMS LAYOUT PLAN

Notes

1. All dimensions are to be checked on site. Any discrepancy in dimensions is to be reported to the architect before any work commences. The Architect's drawings and specifications over rule any other. The Structural Engineers detail drawings.
2. All construction work to comply with the international standards codes protection.
3. The PV denotes permanent ventilation and must be provided above alldoors and windows where indicated.
4. All walls less than 200mm thick are to be reinforced with hoop iron sheet every alternate course.
5. All reinforced concrete works to be done according to structural detail drawings

No:	Date:	Description:
REVISION		

Implemented by:

International Organization for Migration (IOM)
The UN Migration Agency

Client:

The Federal Republic of Somalia
Jubbaland State of Somalia

Project Title:
PROPOSED CONSTRUCTION OF IND
KISMAYO HQ BUILDING, JUBBALAND
STATE - SOMALIA

Drawing Title:
BEAM LAYOUT

SCALE: **AS SHOWN**

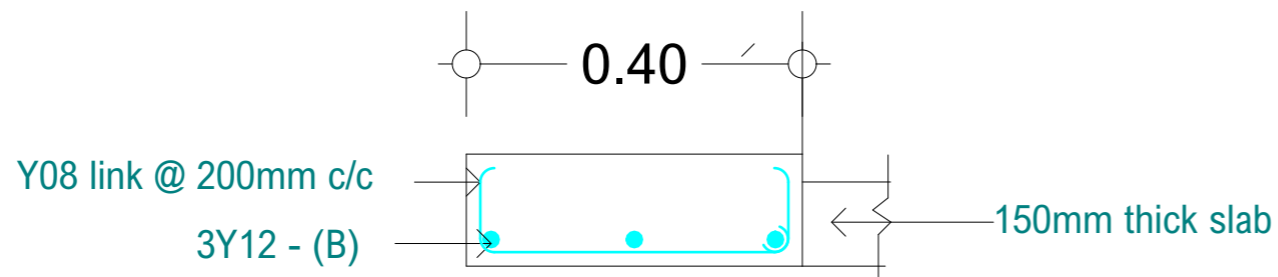
DATE: **FEB 2022**

DRAWN BY:

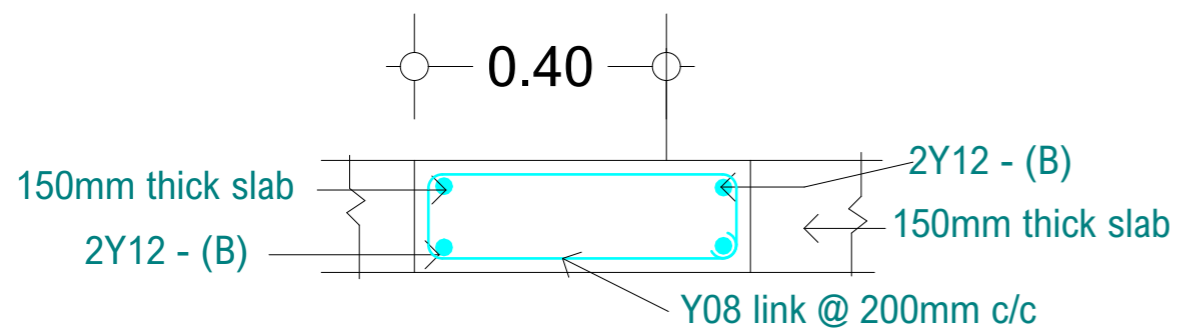
REVIEWED BY:

Sheet No.

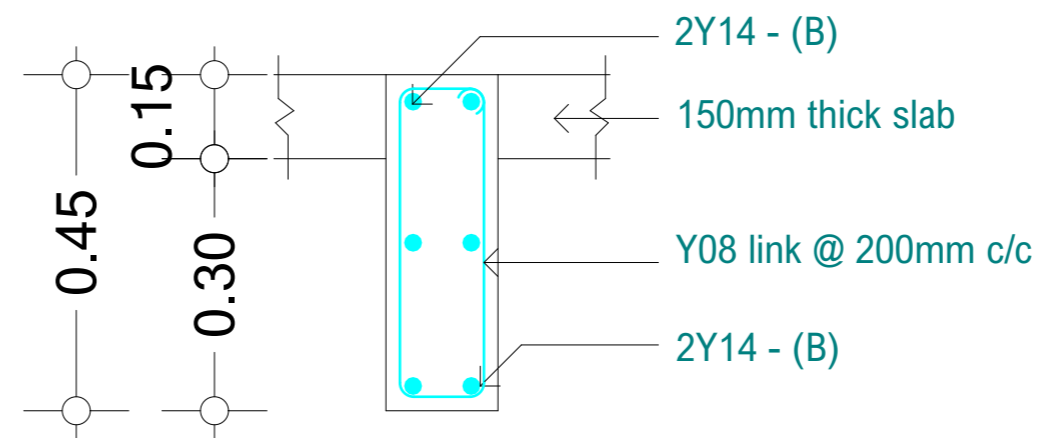
A3



STRIP FOOTING SECTION



GROUND BEAM SECTION



BEAM1 SECTION

Notes

1. All dimensions are to be checked on site. Any discrepancy in dimensions is to be reported to the architect before any work commences. The Architect's drawings and specifications over rule any other, the Structural Engineers detail drawings.
2. All construction work to comply with the international standards codes protection.
3. The PV denotes permanent ventilation and must be provided above all doors and windows where indicated.
4. All walls less than 200mm thick are to be reinforced with hoop iron sheet every alternate course.
5. All reinforced concrete works to be done according to structural detail drawings.

No:	Date:	Description:
REVISION		

Implemented by:



International Organization for Migration (IOM)
The UN Migration Agency

Client:



Project Title:
PROPOSED CONSTRUCTION OF IND
KISMAYO HQ BUILDING, JUBBALAND
STATE - SOMALIA

Drawing Title:
BEAM SECTION

SCALE: **AS SHOWN**

DATE: **FEB 2022**

DRAWN BY:

REVIEWED BY:

Sheet No.

A3

Notes

1. All dimensions are to be checked on site. Any discrepancy in dimensions is to be reported to the architect before any work commences. The Architect's drawings and specifications over rule any other, the Structural Engineers detail drawings.
2. All construction work to comply with the international standards codes protection.
3. The PV denotes permanent ventilation and must be provided above all doors and windows where indicated.
4. All walls less than 200mm thick are to be reinforced with hoop iron sheet every alternate course.
5. All reinforced concrete works to be done according to structural detail drawings

No:	Date:	Description:
REVISION		

Implemented by:



International Organization for Migration (IOM)
The UN Migration Agency

Client:



THE FEDERAL REPUBLIC OF SOMALIA
Jubbaland State of Somalia

Project Title:
PROPOSED CONSTRUCTION OF IND KISMAYO HQ BUILDING, JUBBALAND STATE - SOMALIA

Drawing Title:
STAIRCASE DETAIL

SCALE: **AS SHOWN**

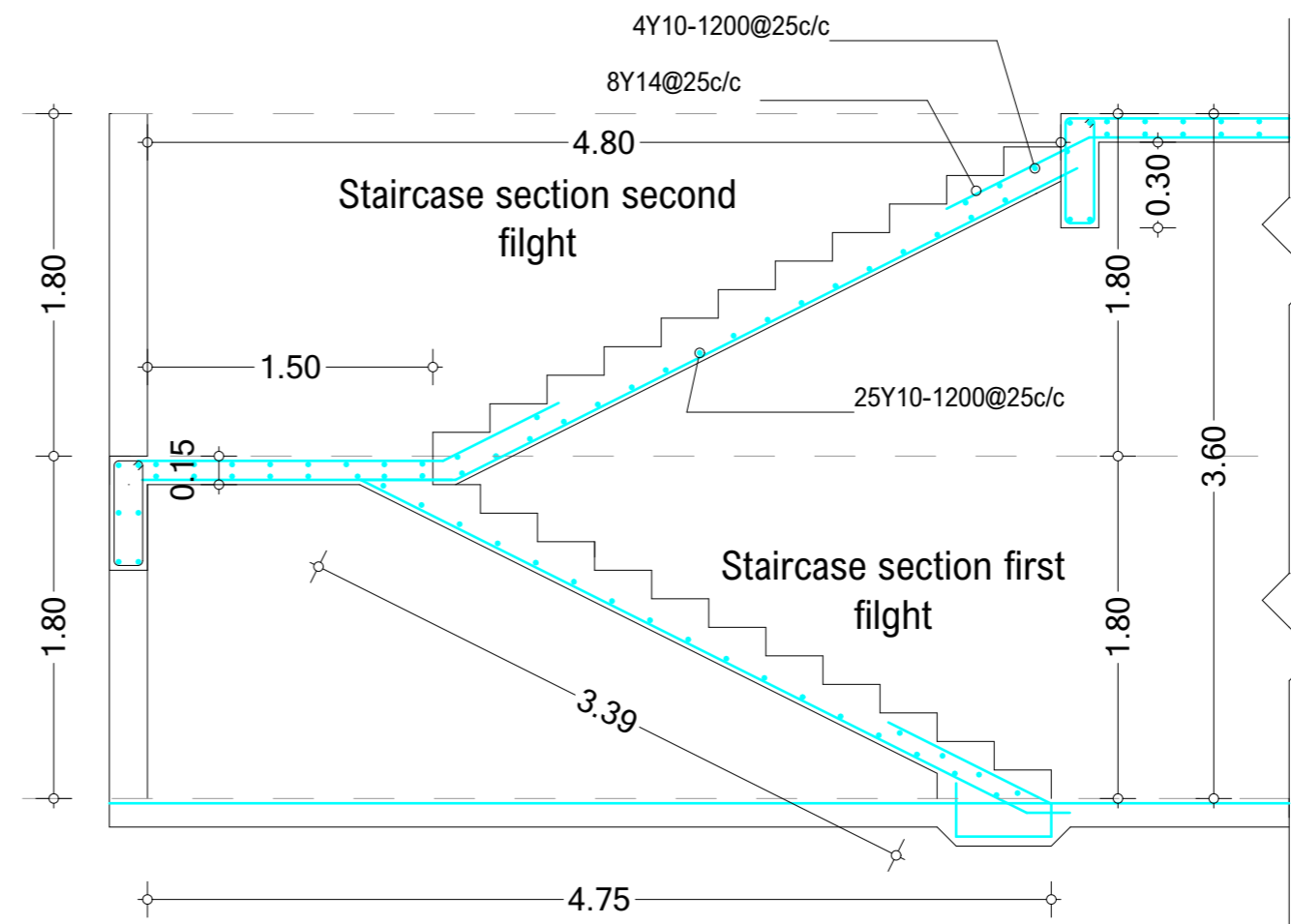
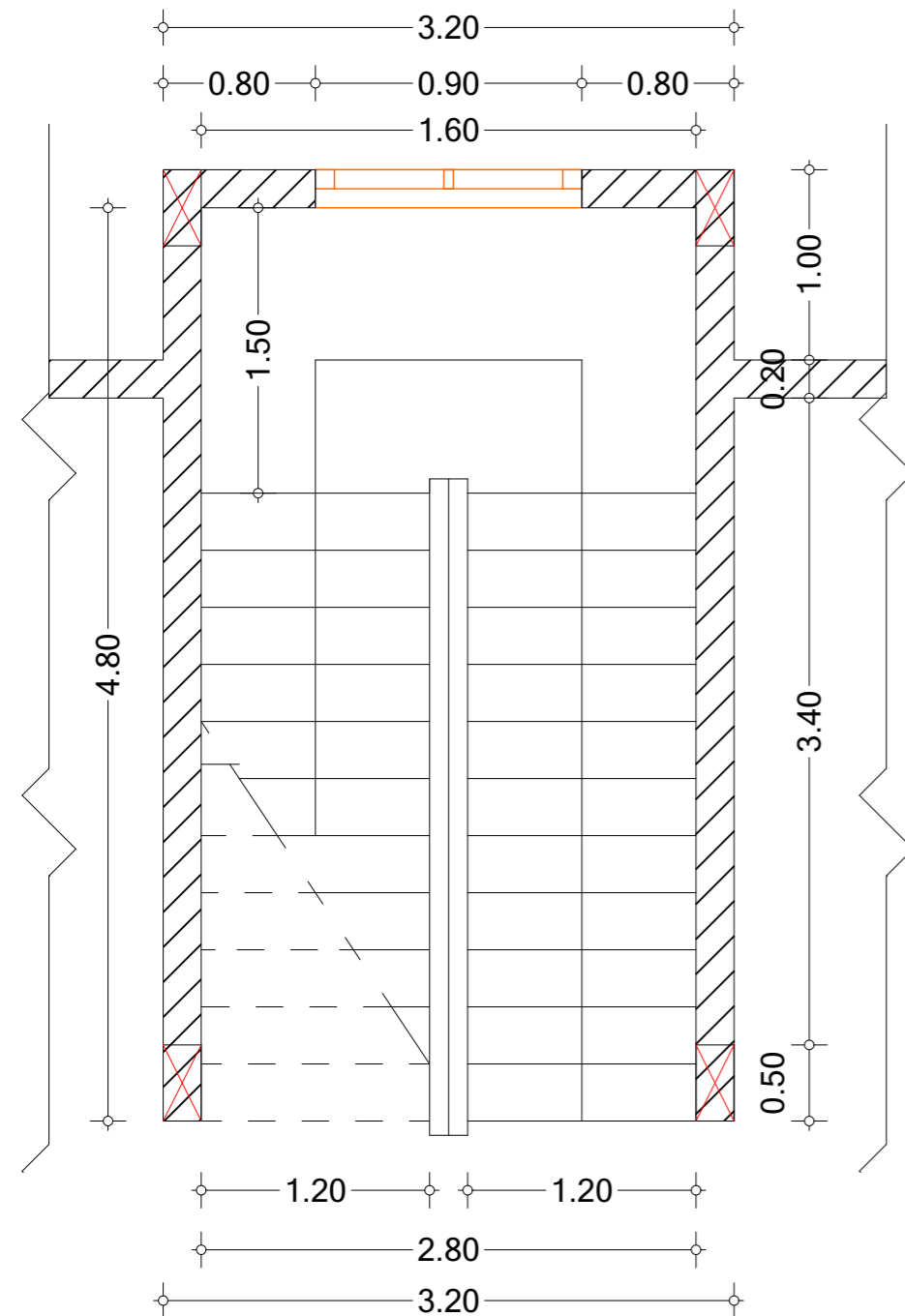
DATE: **FEB 2022**

DRAWN BY:

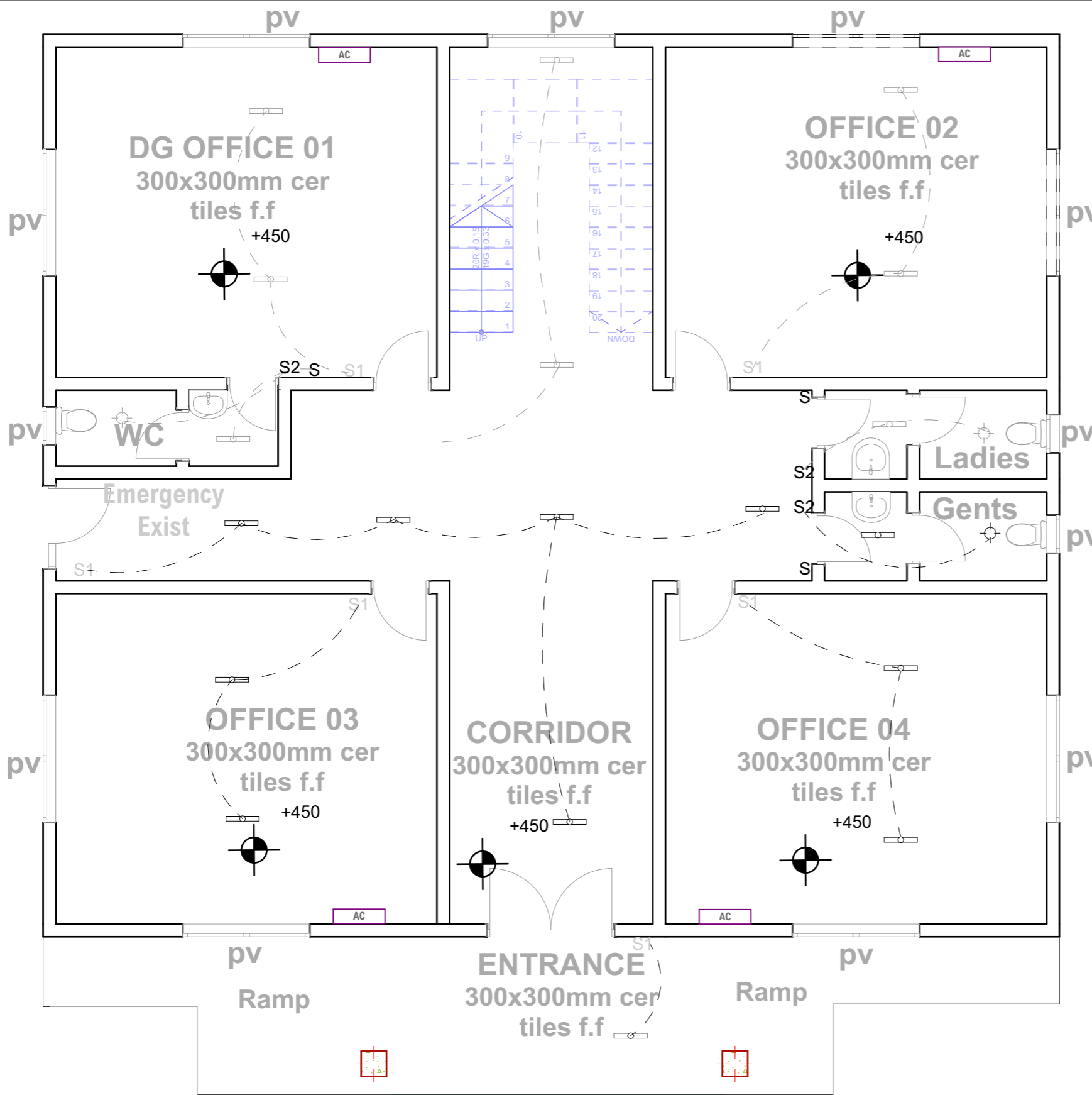
REVIEWED BY:

Sheet No.

A3



Staircase structural detail



SYMBOL	MEANING
	CEILING MOUNTED LIGHT FIXTURE.
	CEILING MOUNTED LIGHT FIXTURE (PENDANT)
	WALL MOUNTED LIGHT FIXTURE
	RECESSED SPOT LIGHT
	FLUORESCENT LIGHT FIXTURE
	FLUORESCENT LIGHT FIXTURE UNDER FALSE CEILING
	WIRING CONNECTION
	FLUORESCENT LIGHT FIXTURE WITH SHAVER SOCKET & LOCALISED SWITCH
	FLUORESCENT LIGHT FIXTURE WITH LOCALISED SWITCH
	SINGLE PLEX RECEPTACLE
	DUPLEX RECEPTACLE
	SPECIAL RECEPTACLE & OUTLET (WITH PILOT LIGHT)
	WATER PROOF RECEPTACLE (SINGLE)
	CONSUMER UNIT
	TELEPHONE/TV JACK
	ALARM KEYPAD
	DOORBELL PUSH BUTTON
	DOORBELL TRANSFORMER
S3	3 gang switch
S2	2 gang switch
S	Single pole switch
	Flood lamp

ELECTRICAL LAYOUT PLAN

Notes

- All dimensions are to be checked on site. Any discrepancy in dimensions is to be reported to the architect before any work commences. The Architect's drawings and specifications over rule any other. The Structural Engineers detail drawings.
- All construction work to comply with the international standards codes protection.
- The PV denotes permanent ventilation and must be provided above alldoors and windows where indicated.
- All walls less than 200mm thick are to be reinforced with hoop iron sheet every alternate course.
- All reinforced concrete works to be done according to structural detail drawings

No:	Date:	Description:
REVISION		

Implemented by:

International Organization for Migration (IOM)
The UN Migration Agency

Client:

Project Title:
PROPOSED CONSTRUCTION OF IND KISMAYO HQ BUILDING, JUBBALAND STATE - SOMALIA

Drawing Title:
ELECTRICAL PLAN

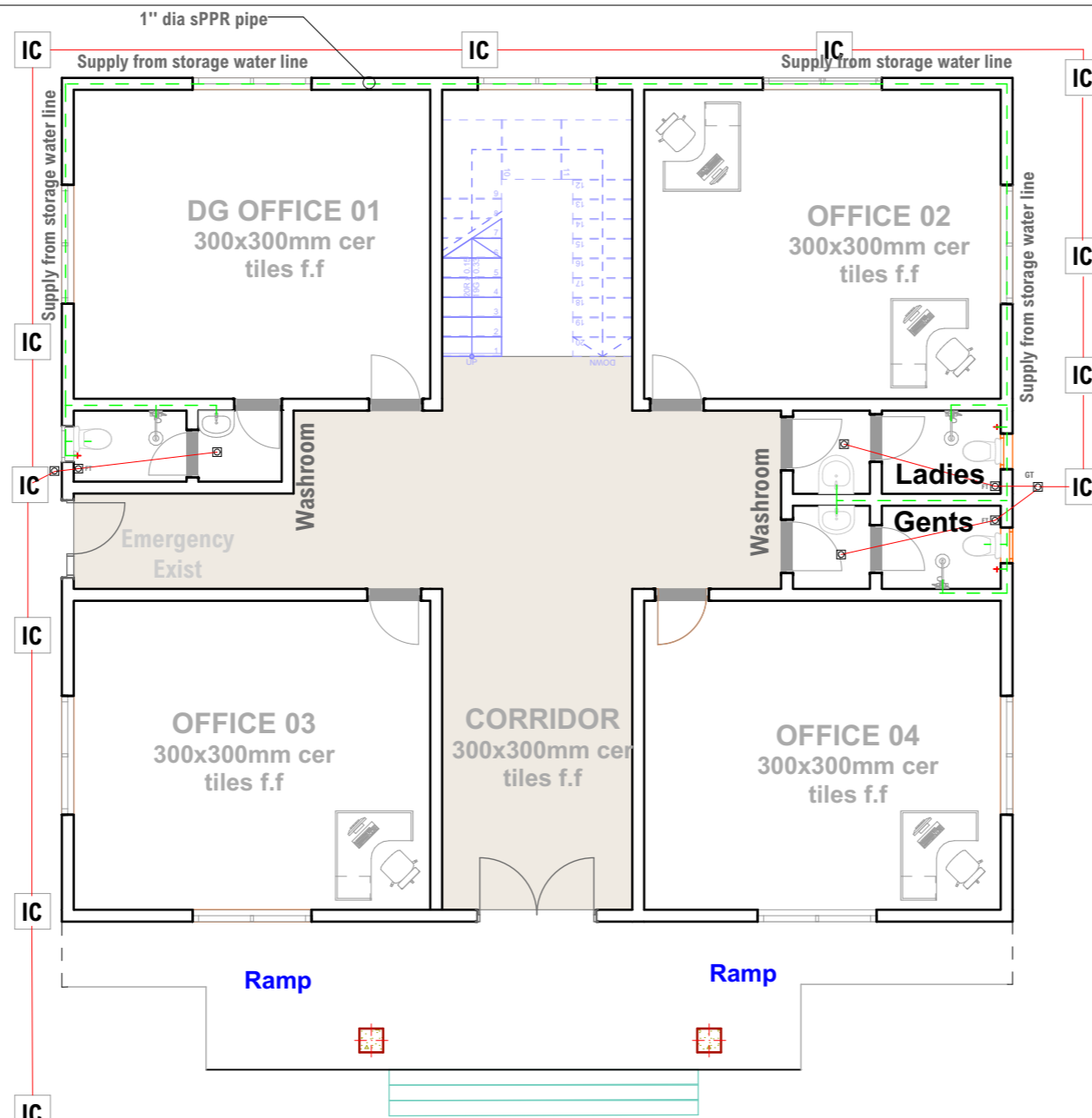
SCALE: **AS SHOWN**

DATE: **FEB 2022**

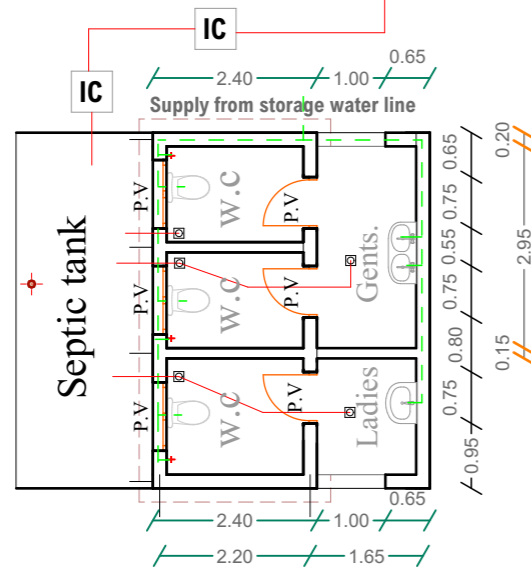
DRAWN BY:

REVIEWED BY:

Sheet No.



Drainage and water supply layout



Notes

1. All dimensions are to be checked on site. Any discrepancy in dimensions is to be reported to the architect before any work commences. The Architect's drawings and specifications over rule any other. The Structural Engineers detail drawings.
2. All construction work to comply with the international standards codes protection.
3. The PV denotes permanent ventilation and must be provided above all doors and windows where indicated.
4. All walls less than 200mm thick are to be reinforced with hoop iron sheet every alternate course.
5. All reinforced concrete works to be done according to structural detail drawings

No:	Date:	Description:
REVISION		

Implemented by:



International Organization for Migration (IOM)
The UN Migration Agency

Client:



Project Title:
**PROPOSED CONSTRUCTION OF IND
KISMAYO HQ BUILDING, JUBBALAND
STATE - SOMALIA**

Drawing Title:
**SEWERAGE AND
PLUMBING LAYOUT**

SCALE: **AS SHOWN**

DATE: **FEB 2022**

DRAWN BY:

REVIEWED BY:

Sheet No.

FITTING SCHEDULE

DESCRIPTION	MATERIAL	QTY
Wash Hand Basin (WHB)	Ceramic on pedestal	9
Wash Closet (WC)	Complete with cistern	9
Shower Tray	PVC shower tray	9
Water Taps	1/2" fixture, stainless steel	9
Floor Traps (FT)	PVC FT	14
Soap Dish	Recessed in ceramic	9
Mirror	4mm thick plate glass	9
Toilet Roll Holder	Stainless steel	9
Towel Rails	Stainless steel	9

FLOOR FINISHING SCHEDULE

	Flooring	Skirting	Grouting	Remarks
1	Non slip ceramic Tiles 60x60cm to approval from samples	10cm high ceramic Tiles	2mm spacing between tile joints filled with grey grouting	Light grey colour RAL7035
2	Non slip Ceramic Tiles 30x30cm to approval from samples	No Skirting, tiling to a height of 210cm	2mm spacing between tile joints filled with white grouting	Non slip ceramic tiles signal white color

Notes

- All dimensions are to be checked on site. Any discrepancy in dimensions is to be reported to the architect before any work commences. The Architect's drawings and specifications over rule any other. The Structural Engineers detail drawings.
- All construction work to comply with the international standards codes protection.
- The PV denotes permanent ventilation and must be provided above all doors and windows where indicated.
- All walls less than 200mm thick are to be reinforced with hoop iron sheet every alternate course.
- All reinforced concrete works to be done according to structural detail drawings.

No:	Date:	Description:
REVISION		

Implemented by:



International Organization for Migration (IOM)
The UN Migration Agency

Client:



Project Title:

PROPOSED CONSTRUCTION OF IND
KISMAYO HQ BUILDING, JUBBALAND
STATE - SOMALIA

Drawing Title:

**FINISHING
SCHEDULE**

SCALE: **AS SHOWN**

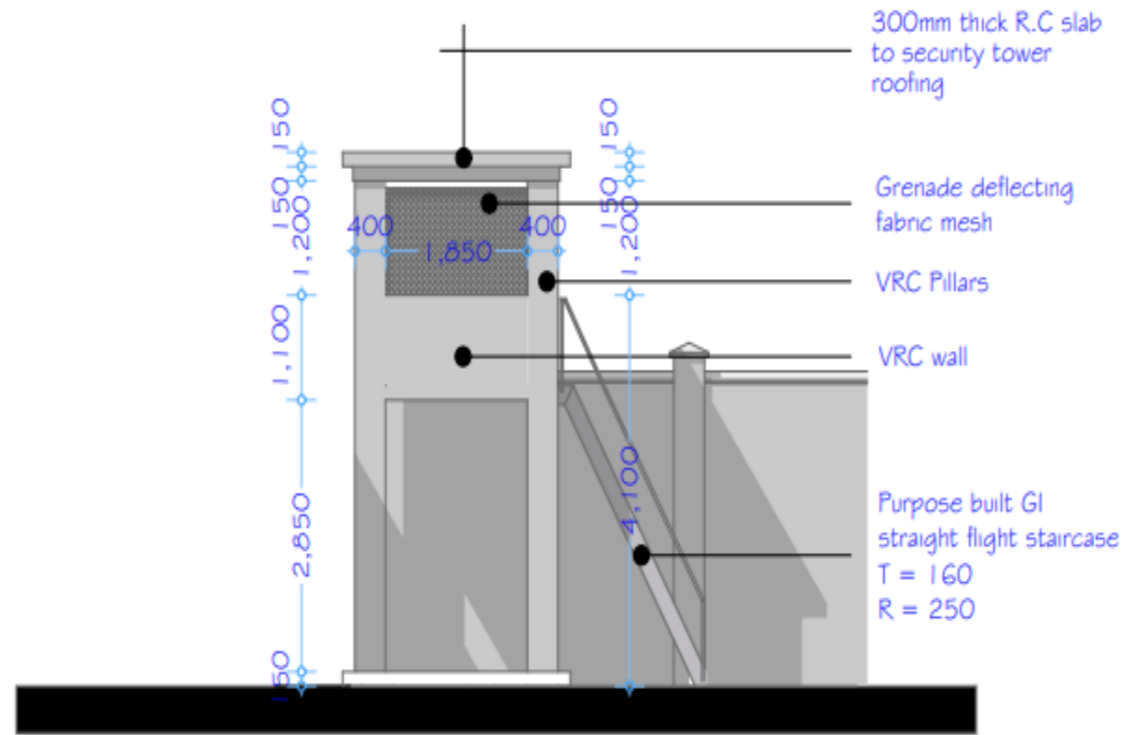
DATE: **FEB 2022**

DRAWN BY:

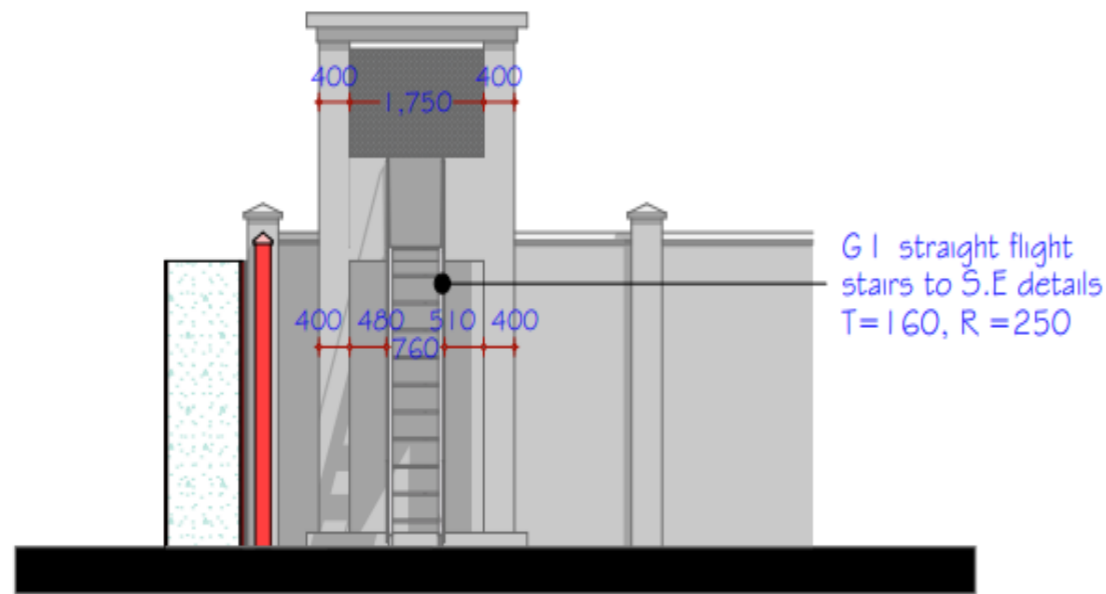
REVIEWED BY:

Sheet No.

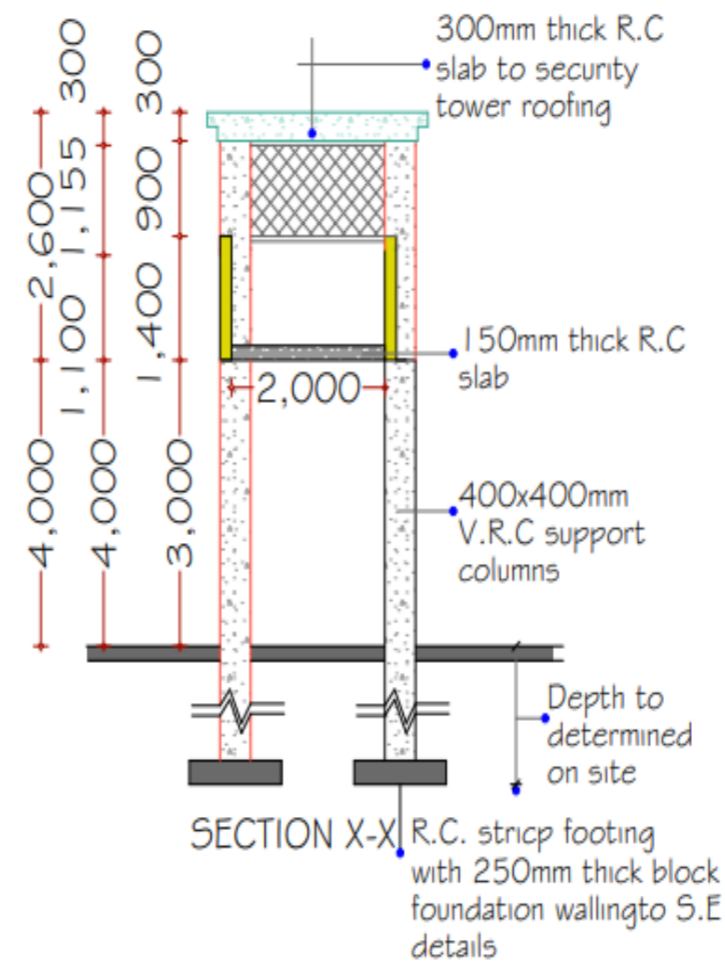
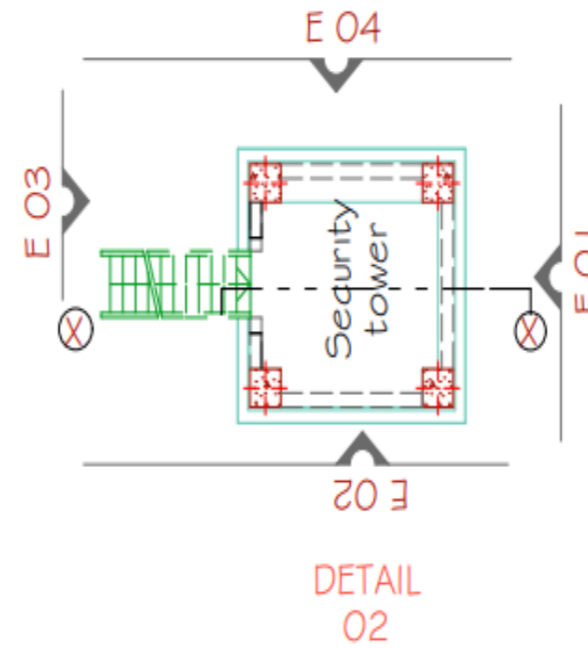
A3



ELEVATION 04



ELEVATION 03



Notes

1. All dimensions are to be checked on site. Any discrepancy in dimensions is to be reported to the architect before any work commences. The Architect's drawings and specifications over rule any other. the Structural Engineers detail drawings.
2. All construction work to comply with the international standards codes protection.
3. The PV denotes permanent ventilation and must be provided above all doors and windows where indicated.
4. All walls less than 200mm thick are to be reinforced with hoop iron sheet every alternate course.
5. All reinforced concrete works to be done according to structural detail drawings

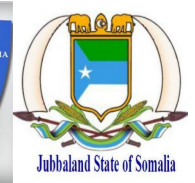
No:	Date:	Description:
REVISION		

Implemented by:



International Organization for Migration (IOM)
The UN Migration Agency

Client:



Project Title:
PROPOSED CONSTRUCTION OF IND
KISMAYO HQ BUILDING, JUBBALAND
STATE - SOMALIA

Drawing Title:
**SECURITY
TOWER**

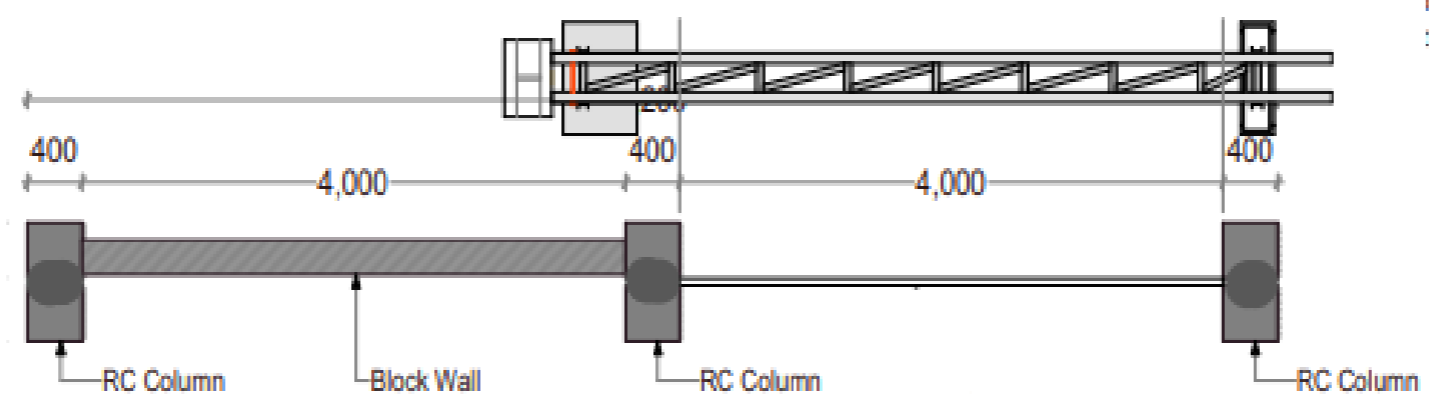
SCALE: **AS SHOWN**

DATE: **FEB 2022**

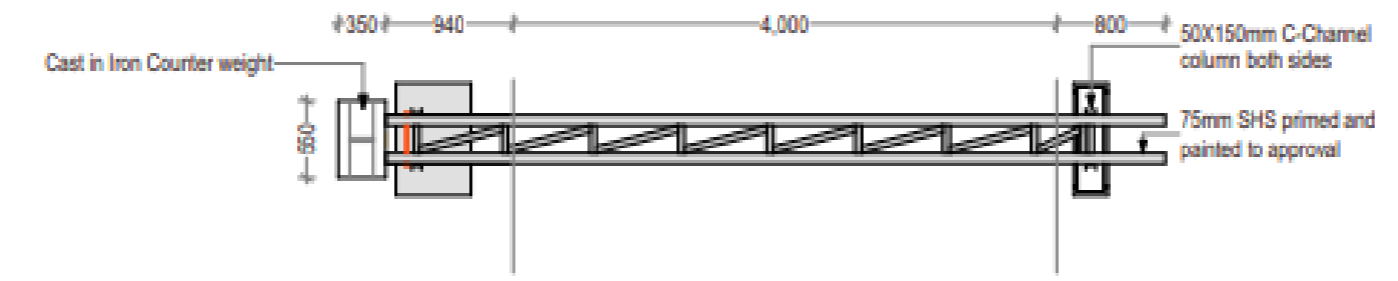
DRAWN BY:

REVIEWED BY:

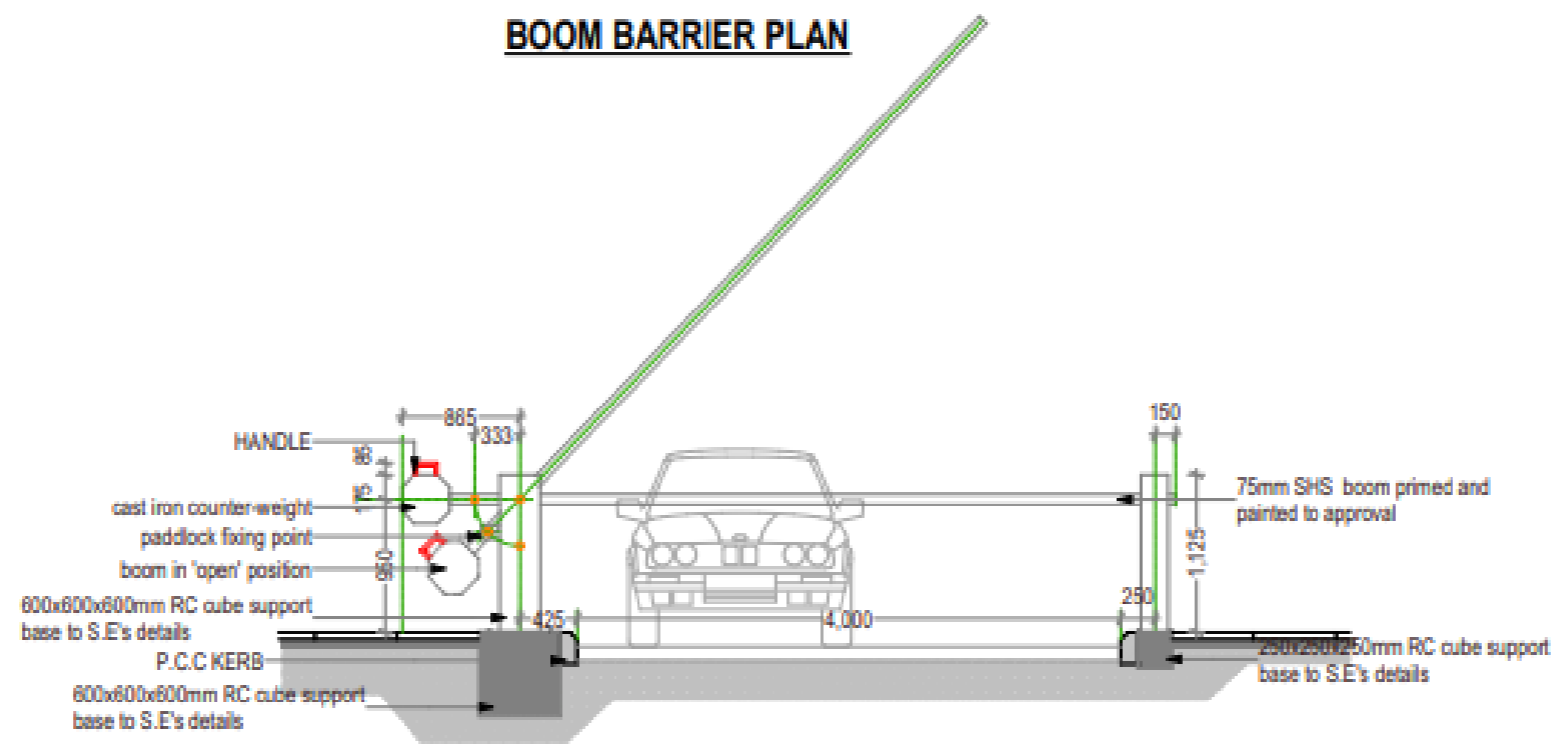
Sheet No.



D-01 1:25



BOOM BARRIER PLAN



BOOM BARRIER ELEVATION

D-01 1:25

Notes

1. All dimensions are to be checked on site. Any discrepancy in dimensions is to be reported to the architect before any work commences. The Architect's drawings and specifications over rule any other. the Structural Engineers detail drawings.
2. All construction work to comply with the international standards codes protection.
3. The PV denotes permanent ventilation and must be provided above all doors and windows where indicated.
4. All walls less than 200mm thick are to be reinforced with hoop iron sheet every alternate course.
5. All reinforced concrete works to be done according to structural detail drawings

No:	Date:	Description:
REVISION		

Implemented by:

International Organization for Migration (IOM)
The UN Migration Agency

Client:

THE FEDERAL REPUBLIC OF SOMALIA
Jubbaland State of Somalia

Project Title:
PROPOSED CONSTRUCTION OF IND KISMAYO HQ BUILDING, JUBALAND STATE - SOMALIA

Drawing Title:
BOOM BARRIER

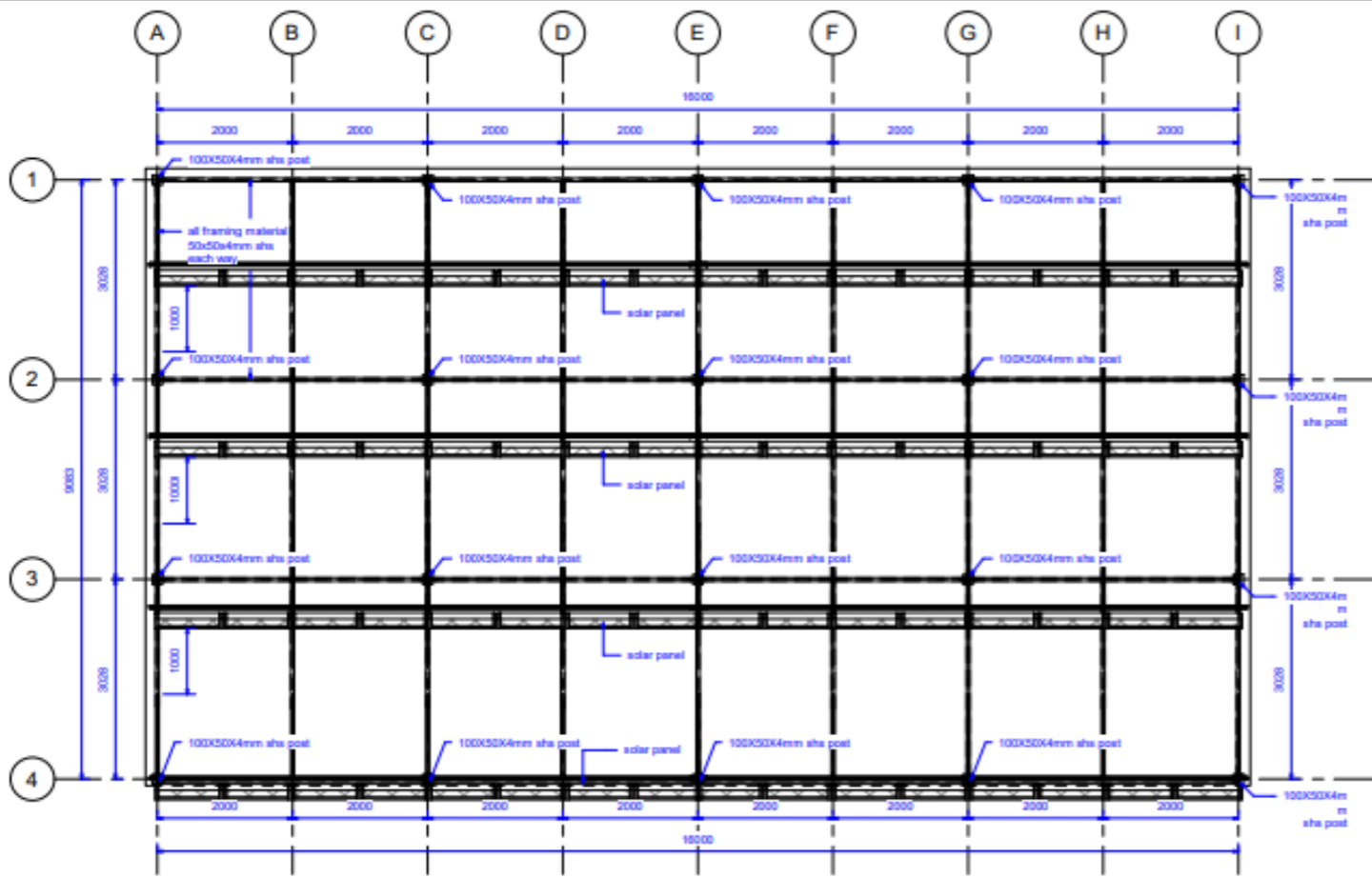
SCALE: **AS SHOWN**

DATE: **FEB 2022**

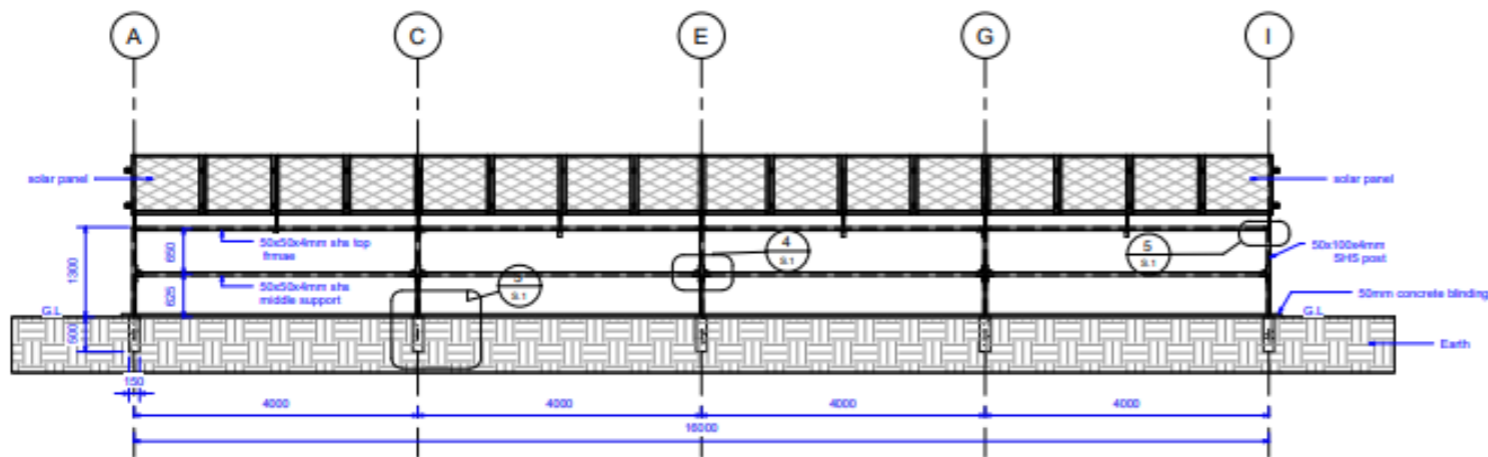
DRAWN BY:

REVIEWED BY:

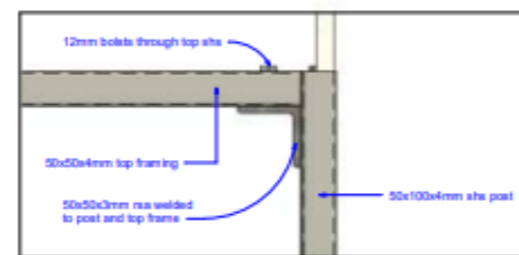
Sheet No.
A3



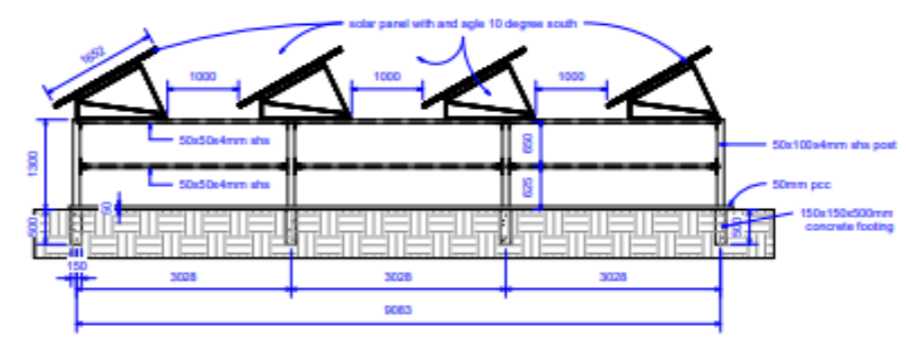
1 2.FRAME TOP VIEW
1 : 50



2 South Elevation
1 : 50



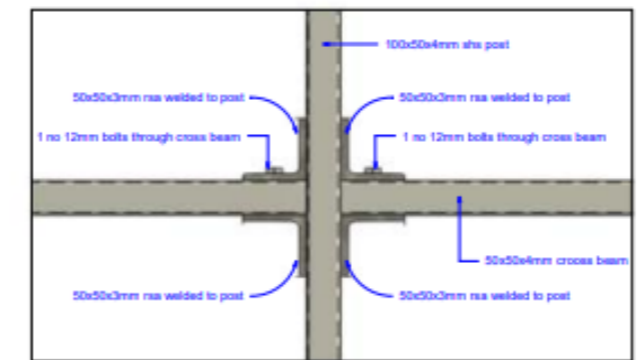
5 South Elevation - Callout 3
1 : 5



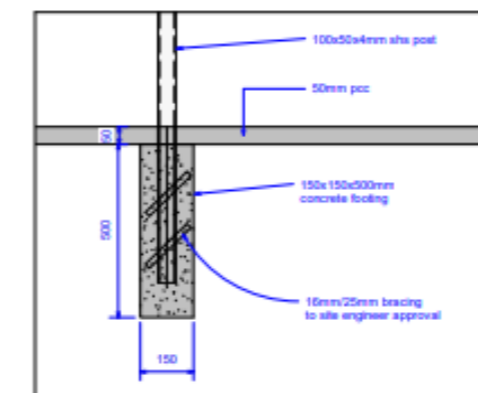
6 East Elevation
1 : 50



7 3D PRESPECTIVE VIEW
1 : 1



4 South Elevation - Callout 2
1 : 5



3 South Elevation - Callout 1
1 : 10

Notes

- All dimensions are to be checked on site. Any discrepancy in dimensions is to be reported to the architect before any work commences. The Architect's drawings and specifications over rule any other. The Structural Engineers detail drawings.
- All construction work to comply with the international standards codes protection.
- The PV denotes permanent ventilation and must be provided above alldoors and windows where indicated.
- All walls less than 200mm thick are to be reinforced with hoop iron sheet every alternate course.
- All reinforced concrete works to be done according to structural detail drawings

No:	Date:	Description:
REVISION		

Implemented by:

International Organization for Migration (IOM)
The UN Migration Agency

Client:

THE FEDERAL REPUBLIC OF SOMALIA
Jubbaland State of Somalia

Project Title:
PROPOSED CONSTRUCTION OF IND KISMAYO HQ BUILDING, JUBBALAND STATE - SOMALIA

Drawing Title:
SOLAR PANALES

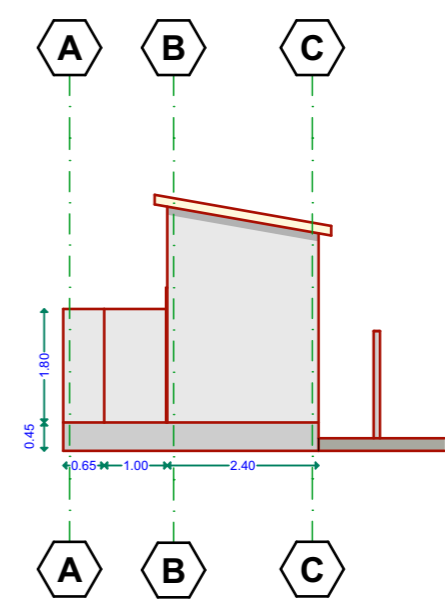
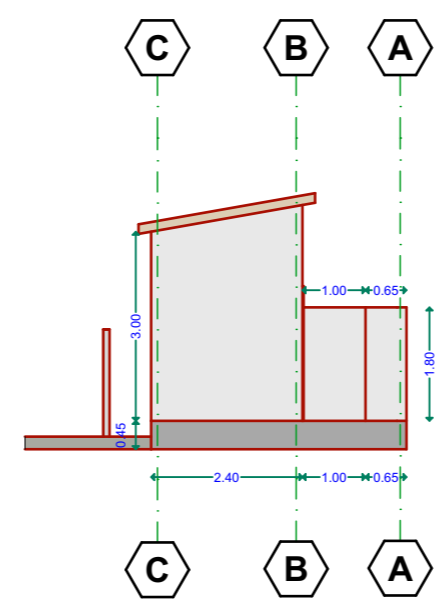
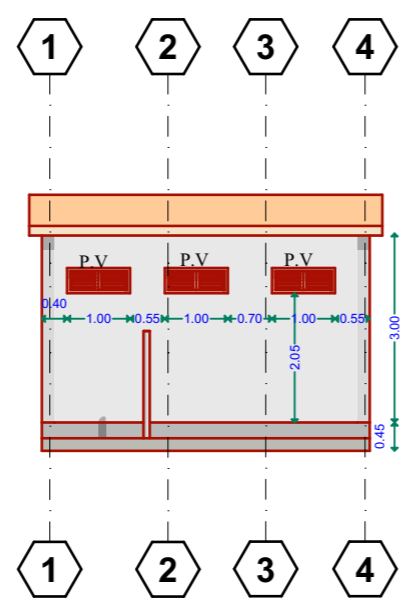
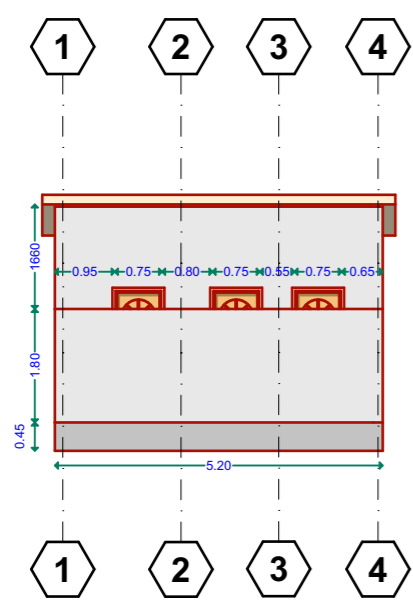
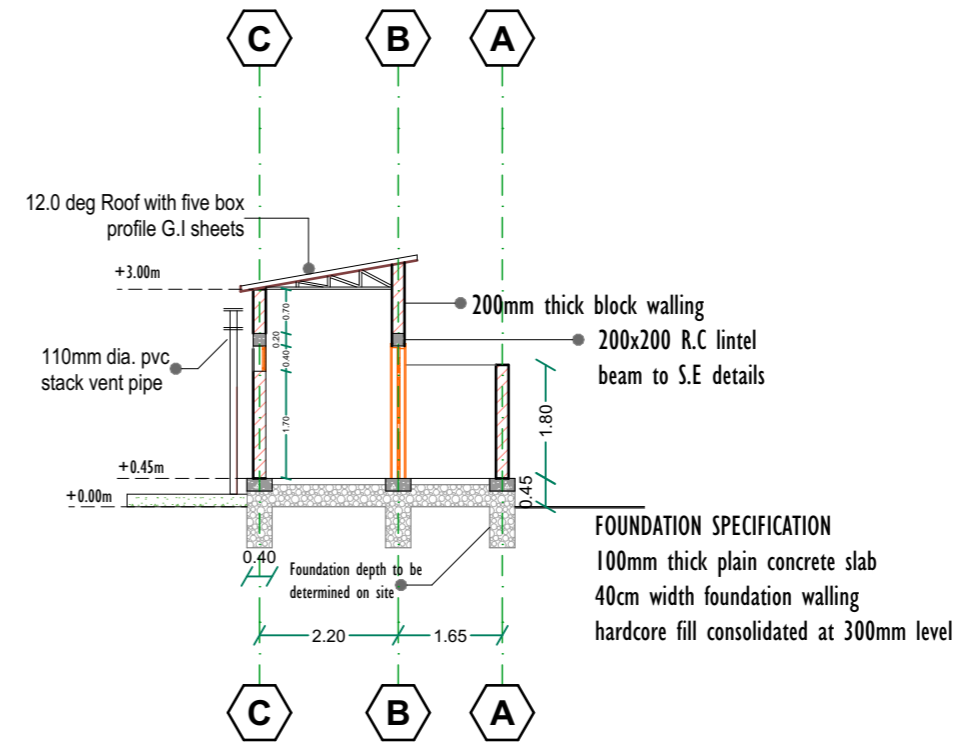
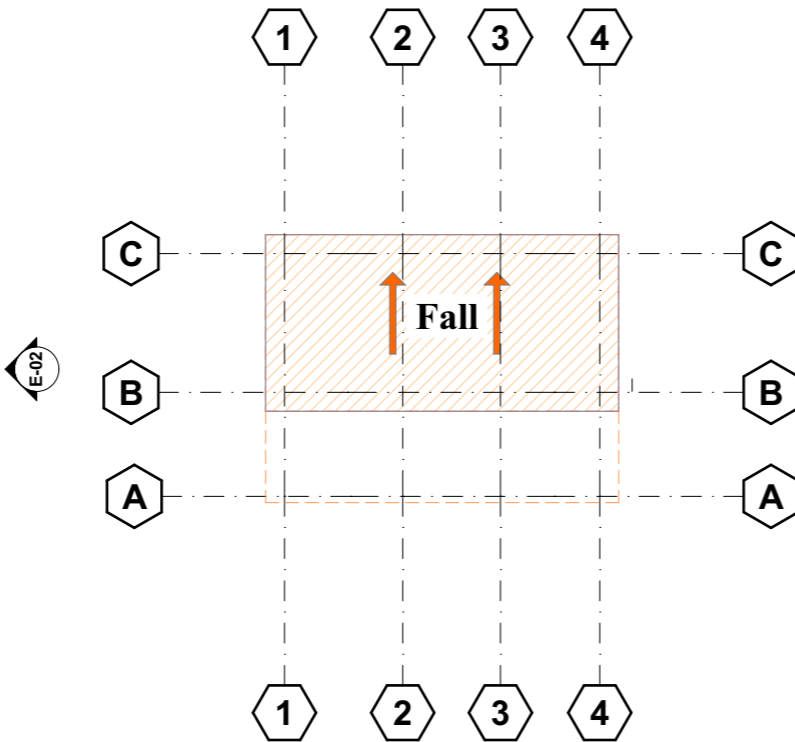
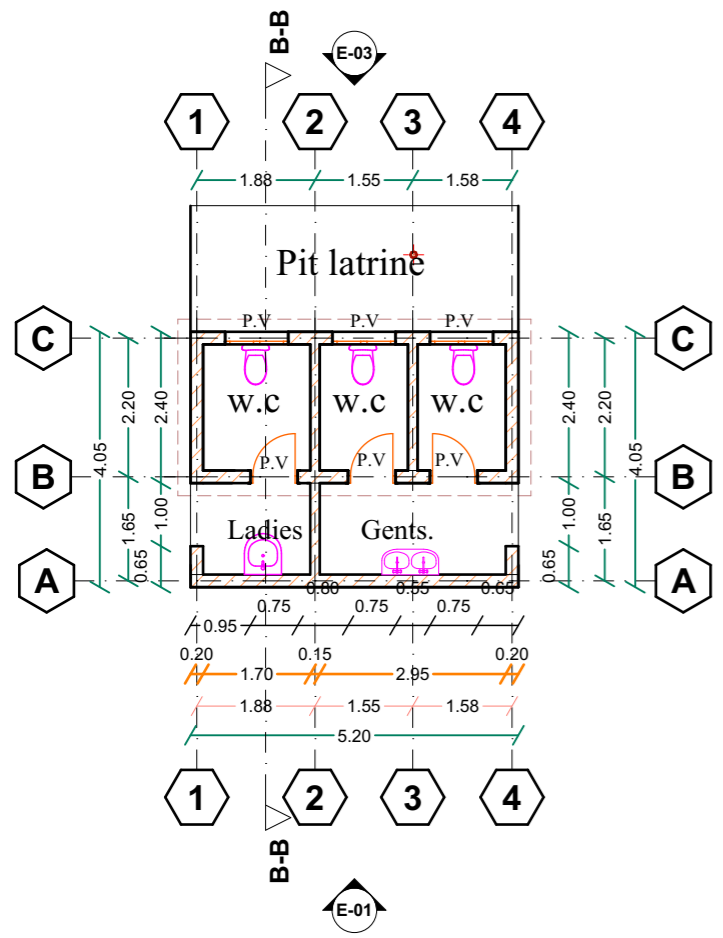
SCALE: **AS SHOWN**

DATE: **FEB 2022**

DRAWN BY:

REVIEWED BY:

Sheet No.



Notes

1. All dimensions are to be checked on site. Any discrepancy in dimensions is to be reported to the architect before any work commences. The Architect's drawings and specifications over rule any other. The Structural Engineers detail drawings.
2. All construction work to comply with the international standards codes protection.
3. The PV denotes permanent ventilation and must be provided above all doors and windows where indicated.
4. All walls less than 200mm thick are to be reinforced with hoop iron sheet every alternate course.
5. All reinforced concrete works to be done according to structural detail drawings

No:	Date:	Description:
REVISION		

Implemented by:

International Organization for Migration (IOM)
The UN Migration Agency

Client:

The Federal Republic of Somalia
Jubbaland State of Somalia

Project Title:
PROPOSED CONSTRUCTION OF IND KISMAYO HQ BUILDING, JUBALAND STATE - SOMALIA

Drawing Title:
External Latrines

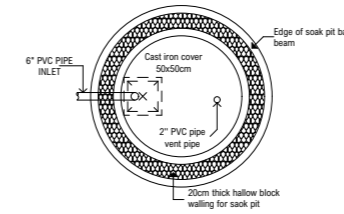
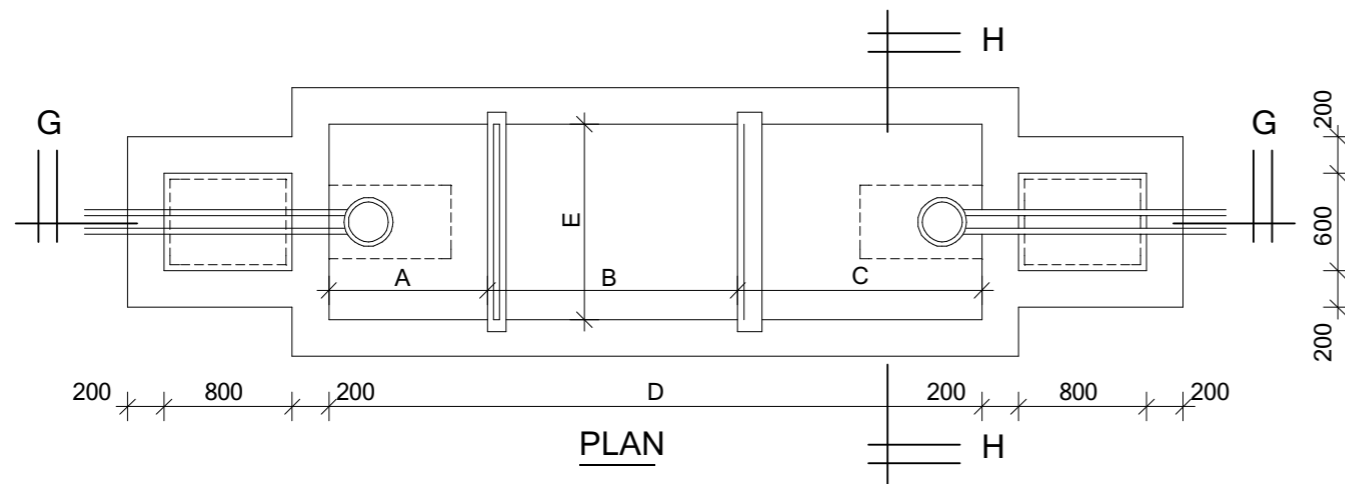
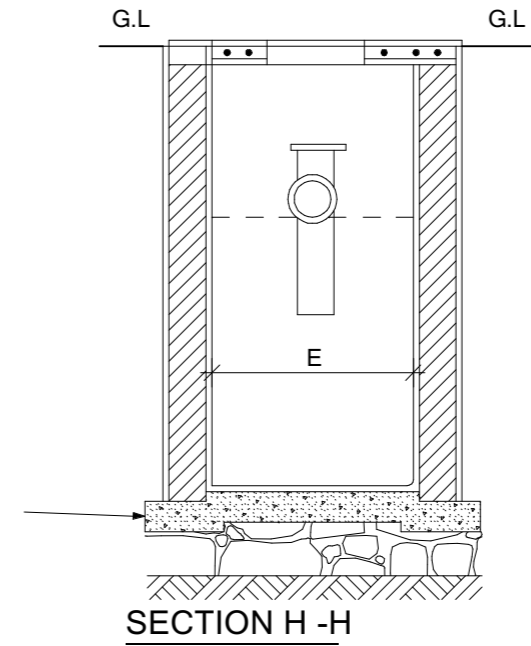
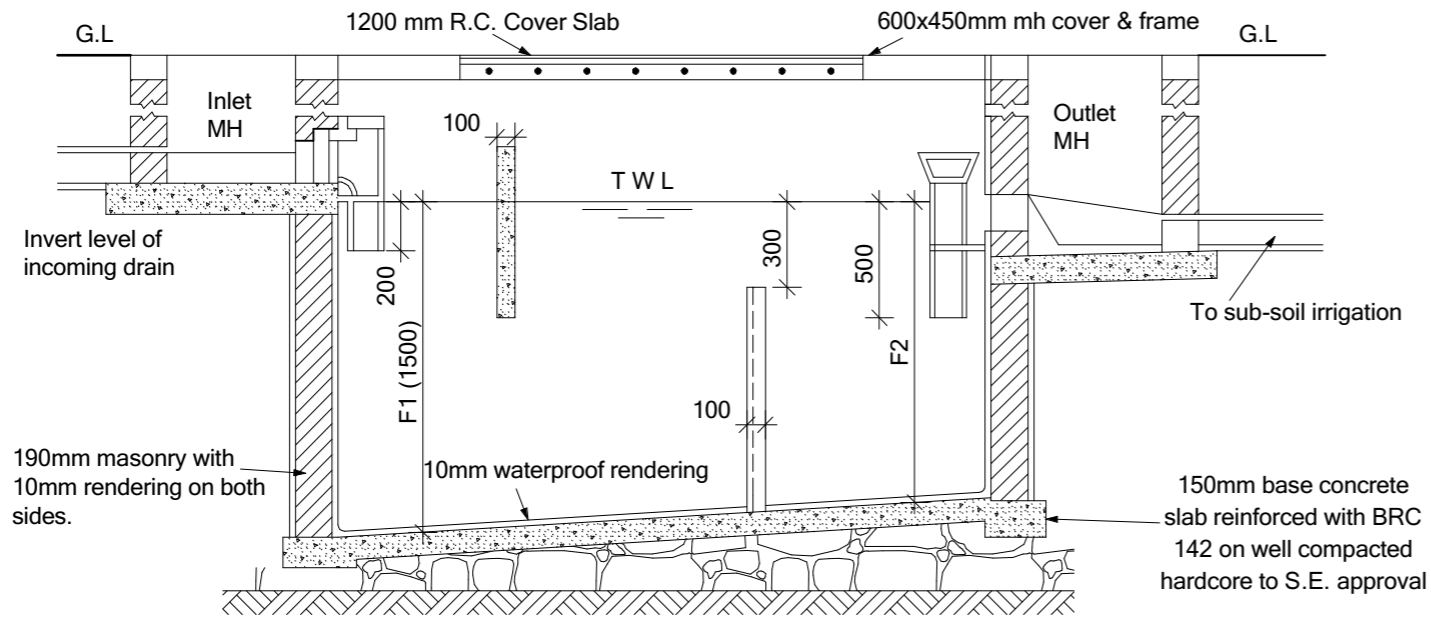
SCALE: **AS SHOWN**

DATE: **FEB 2022**

DRAWN BY:

REVIEWED BY:

Sheet No.



NOTES

- Cover slab to be reinforced with 10mm dia. bar at 100mm c/c (conc. 20 / 20 mix 1:2:4)
- Base slab to be conc. class mix 1:3:6
- Outlet and inlet pipes to be 100mm dia. cast iron.
- Scum baffle to be 100mm thick reinforced with 2 No. 100mm at both ends conc 80(20)
- Dividing wall to be 100mm thick conc. class 20(20) reinforced with weld mesh No. 65.

TYPE	CAPACITY IN LITRES	No. OF PERSONS	DESLUDGING INTERVAL (YRS)	DIMENSIONS IN MM						
				A	B	C	D	E	F1	F2
A	3000	10	2	800	1000	1000	3000	800	1200	1400
B	6000	20	2	800	1400	1200	3600	1400	1500	1400
C	9000	30	2	800	1400	1200	3600	1800	1500	1400
D	12000	40	2	800	1600	1400	4000	2000	1500	1300
E	15000	50	2	800	1600	1400	4000	2400	1500	1200

Notes

- All dimensions are to be checked on site. Any discrepancy in dimensions is to be reported to the architect before any work commences. The Architect's drawings and specifications over rule any other. The Structural Engineers detail drawings.
- All construction work to comply with the international standards codes protection.
- The PV denotes permanent ventilation and must be provided above all doors and windows where indicated.
- All walls less than 200mm thick are to be reinforced with hoop iron sheet every alternate course.
- All reinforced concrete works to be done according to structural detail drawings

No:	Date:	Description:
REVISION		

Implemented by:



International Organization for Migration (IOM)
The UN Migration Agency

Client:



Project Title:
PROPOSED CONSTRUCTION OF IND KISMAYO HQ BUILDING, JUBBALAND STATE - SOMALIA

Drawing Title:
SEPTIC TANK

SCALE: **AS SHOWN**

DATE: **FEB 2022**

DRAWN BY:

REVIEWED BY:

Sheet No.

Notes

1. All dimensions are to be checked on site. Any discrepancy in dimensions is to be reported to the architect before any work commences. The Architect's drawings and specifications over rule any other. The Structural Engineers detail drawings.
2. All construction work to comply with the international standards codes protection.
3. The PV denotes permanent ventilation and must be provided above all doors and windows where indicated.
4. All walls less than 200mm thick are to be reinforced with hoop iron sheet every alternate course.
5. All reinforced concrete works to be done according to structural detail drawings

No:	Date:	Description:
REVISION		

Implemented by:



International Organization for Migration (IOM)
The UN Migration Agency

Client:



Project Title:
PROPOSED CONSTRUCTION OF IND KISMAYO HQ BUILDING, JUBBALAND STATE - SOMALIA

Drawing Title:
BOUNDARY WALL

SCALE: **AS SHOWN**

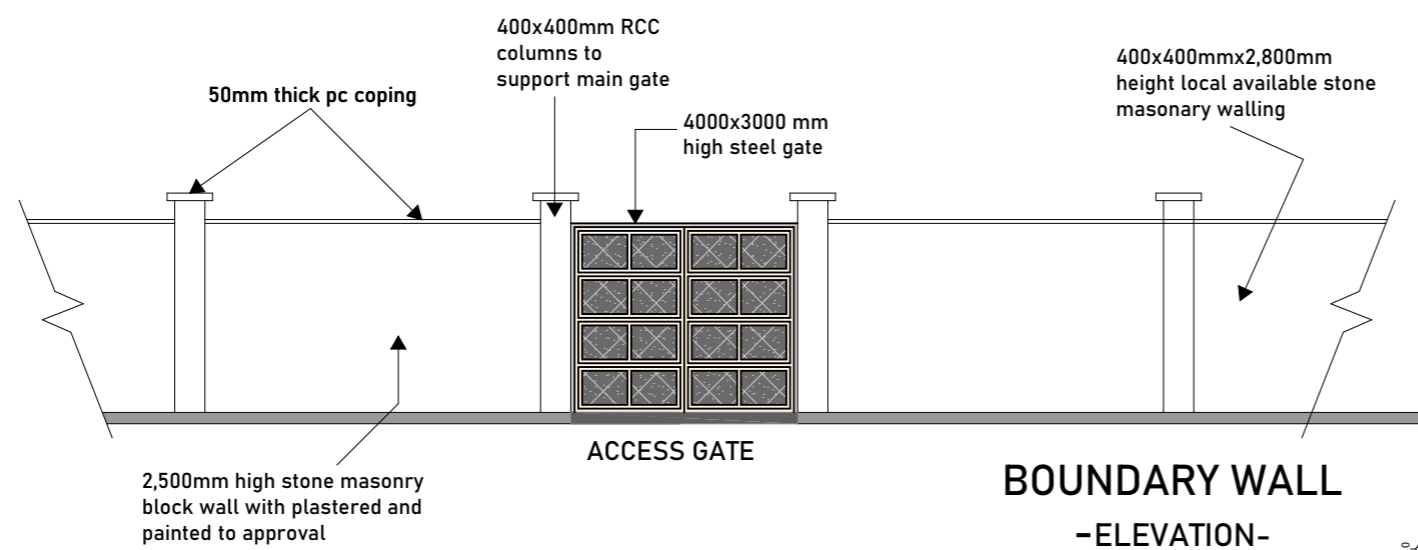
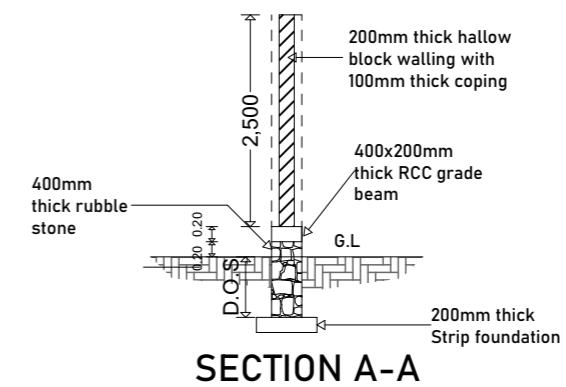
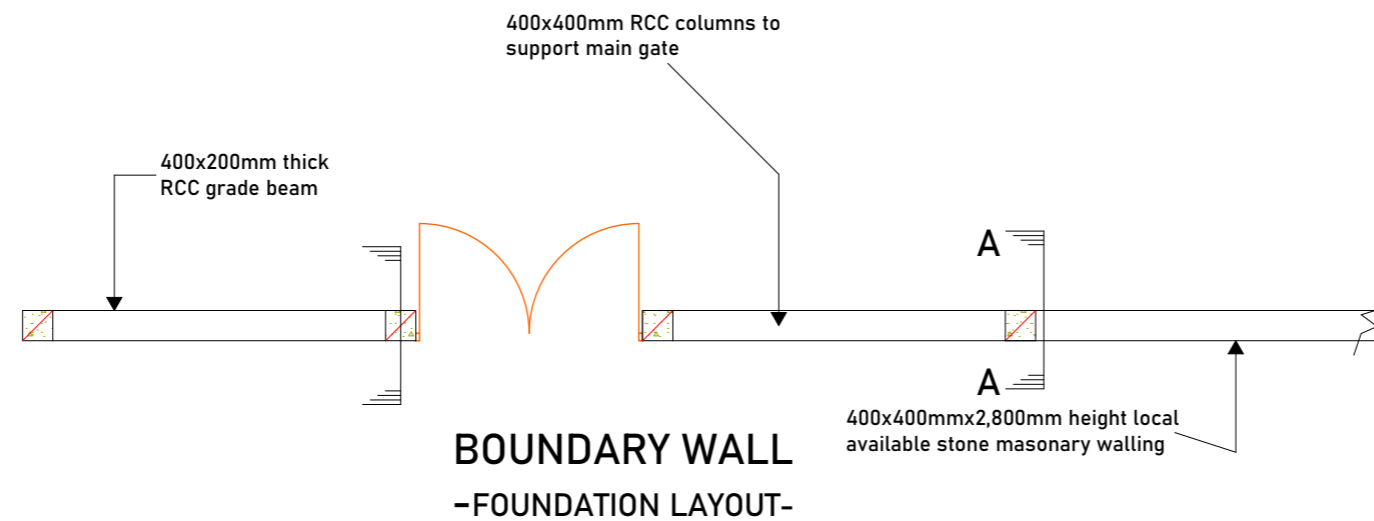
DATE: **FEB 2022**

DRAWN BY:

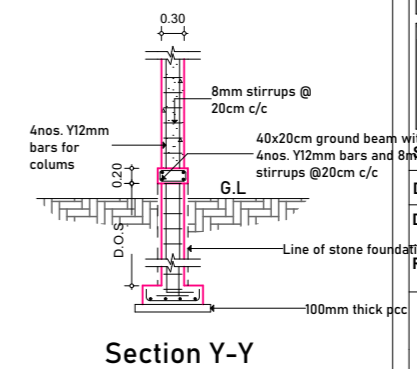
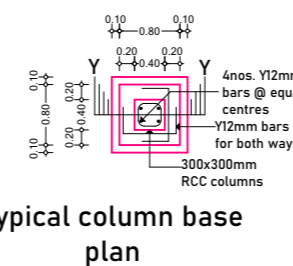
REVIEWED BY:

Sheet No.

A3



D.O.S. DETERMINED ON SITE MINIMUM 1000MM DEEP





Notes

1. All dimensions are to be checked on site. Any discrepancy in dimensions is to be reported to the architect before any work commences. The Architect's drawings and specifications over rule any other, the Structural Engineers detail drawings.
2. All construction work to comply with the international standards codes protection.
3. The PV denotes permanent ventilation and must be provided above all doors and windows where indicated.
4. All walls less than 200mm thick are to be reinforced with hoop iron sheet every alternate course.
5. All reinforced concrete works to be done according to structural detail drawings

No:	Date:	Description:
REVISION		

Implemented by:

International Organization for Migration (IOM)
The UN Migration Agency

Client:

THE FEDERAL REPUBLIC OF SOMALIA
Jubbaland State of Somalia

Project Title:
PROPOSED CONSTRUCTION OF IND KISMAYO HQ BUILDING, JUBBALAND STATE - SOMALIA

Drawing Title:
3D-01

SCALE: **AS SHOWN**

DATE: **FEB 2022**

DRAWN BY:

REVIEWED BY:

Sheet No.

A3



Notes

1. All dimensions are to be checked on site. Any discrepancy in dimensions is to be reported to the architect before any work commences. The Architect's drawings and specifications over rule any other, the Structural Engineers detail drawings.
2. All construction work to comply with the international standards codes protection.
3. The PV denotes permanent ventilation and must be provided above all doors and windows where indicated.
4. All walls less than 200mm thick are to be reinforced with hoop iron sheet every alternate course.
5. All reinforced concrete works to be done according to structural detail drawings

No:	Date:	Description:
REVISION		

Implemented by:

International Organization for Migration (IOM)
The UN Migration Agency

Client:

THE FEDERAL REPUBLIC OF SOMALIA
Jubbaland State of Somalia

Project Title:
**PROPOSED CONSTRUCTION OF IND
KISMAYO HQ BUILDING, JUBBALAND
STATE - SOMALIA**

Drawing Title:
3D-02

SCALE: **AS SHOWN**
DATE: **FEB 2022**
DRAWN BY:

REVIEWED BY:

Sheet No.

A3



Notes

1. All dimensions are to be checked on site. Any discrepancy in dimensions is to be reported to the architect before any work commences. The Architect's drawings and specifications over rule any other, the Structural Engineers detail drawings.
2. All construction work to comply with the international standards codes protection.
3. The PV denotes permanent ventilation and must be provided above all doors and windows where indicated.
4. All walls less than 200mm thick are to be reinforced with hoop iron sheet every alternate course.
5. All reinforced concrete works to be done according to structural detail drawings

No:	Date:	Description:
REVISION		

Implemented by:



International Organization for Migration (IOM)
The UN Migration Agency

Client:



Project Title:
**PROPOSED CONSTRUCTION OF IND
KISMAYO HQ BUILDING, JUBALAND
STATE - SOMALIA**

Drawing Title:
3D-03

SCALE: **AS SHOWN**

DATE: **FEB 2022**

DRAWN BY:

REVIEWED BY:

Sheet No.

A3



Notes

1. All dimensions are to be checked on site. Any discrepancy in dimensions is to be reported to the architect before any work commences. The Architect's drawings and specifications over rule any other, the Structural Engineers detail drawings.
2. All construction work to comply with the international standards codes protection.
3. The PV denotes permanent ventilation and must be provided above all doors and windows where indicated.
4. All walls less than 200mm thick are to be reinforced with hoop iron sheet every alternate course.
5. All reinforced concrete works to be done according to structural detail drawings

No:	Date:	Description:
REVISION		

Implemented by:



International Organization for Migration (IOM)
The UN Migration Agency

Client:



Project Title:
**PROPOSED CONSTRUCTION OF IND
KISMAYO HQ BUILDING, JUBBALAND
STATE - SOMALIA**

Drawing Title:
3D-04

SCALE: **AS SHOWN**

DATE: **FEB 2022**

DRAWN BY:

REVIEWED BY:

Sheet No.

A3



Notes

1. All dimensions are to be checked on site. Any discrepancy in dimensions is to be reported to the architect before any work commences. The Architect's drawings and specifications over rule any other, the Structural Engineers detail drawings.
2. All construction work to comply with the international standards codes protection.
3. The PV denotes permanent ventilation and must be provided above all doors and windows where indicated.
4. All walls less than 200mm thick are to be reinforced with hoop iron sheet every alternate course.
5. All reinforced concrete works to be done according to structural detail drawings

No:	Date:	Description:
REVISION		

Implemented by:



International Organization for Migration (IOM)
The UN Migration Agency

Client:



Project Title:
**PROPOSED CONSTRUCTION OF IND
KISMAYO HQ BUILDING, JUBBALAND
STATE - SOMALIA**

Drawing Title:
3D-05

SCALE: **AS SHOWN**

DATE: **FEB 2022**

DRAWN BY:

REVIEWED BY:

Sheet No.

A3



Notes

1. All dimensions are to be checked on site. Any discrepancy in dimensions is to be reported to the architect before any work commences. The Architect's drawings and specifications over rule any other, the Structural Engineers detail drawings.
2. All construction work to comply with the international standards codes protection.
3. The PV denotes permanent ventilation and must be provided above all doors and windows where indicated.
4. All walls less than 200mm thick are to be reinforced with hoop iron sheet every alternate course.
5. All reinforced concrete works to be done according to structural detail drawings

No:	Date:	Description:
REVISION		

Implemented by:



International Organization for Migration (IOM)
The UN Migration Agency

Client:



Project Title:

PROPOSED CONSTRUCTION OF IND
KISMAYO HQ BUILDING, JUBBALAND
STATE - SOMALIA

Drawing Title:

3D-06

SCALE: **AS SHOWN**

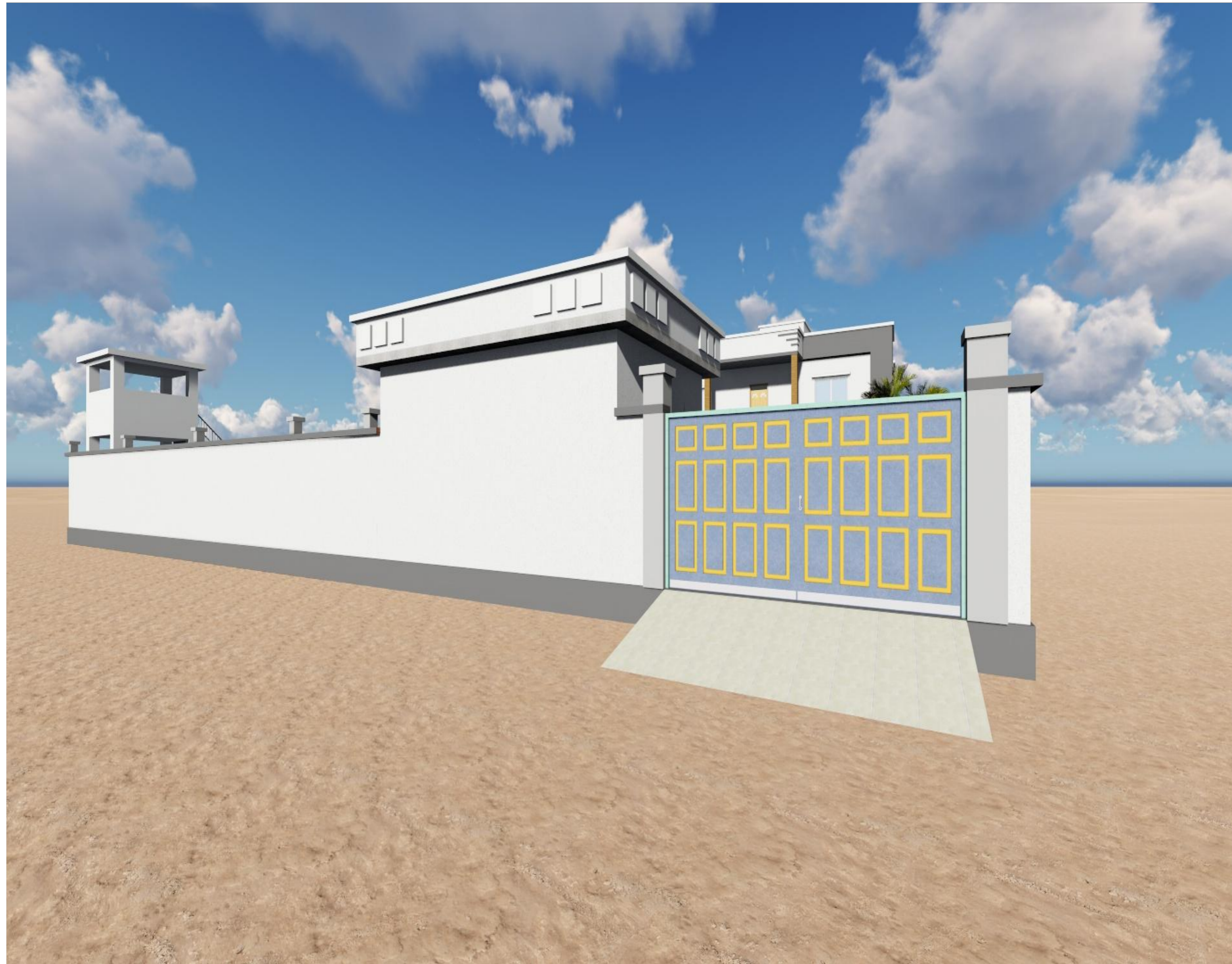
DATE: **FEB 2022**

DRAWN BY:

REVIEWED BY:

Sheet No.

A3



Notes

1. All dimensions are to be checked on site. Any discrepancy in dimensions is to be reported to the architect before any work commences. The Architect's drawings and specifications over rule any other, the Structural Engineers detail drawings.
2. All construction work to comply with the international standards codes protection.
3. The PV denotes permanent ventilation and must be provided above all doors and windows where indicated.
4. All walls less than 200mm thick are to be reinforced with hoop iron sheet every alternate course.
5. All reinforced concrete works to be done according to structural detail drawings

No:	Date:	Description:
REVISION		

Implemented by:



International Organization for Migration (IOM)
The UN Migration Agency

Client:



Project Title:
**PROPOSED CONSTRUCTION OF IND
KISMAYO HQ BUILDING, JUBBALAND
STATE - SOMALIA**

Drawing Title:
3D-07

SCALE: **AS SHOWN**

DATE: **FEB 2022**

DRAWN BY:

REVIEWED BY:

Sheet No.

A3



Notes

1. All dimensions are to be checked on site. Any discrepancy in dimensions is to be reported to the architect before any work commences. The Architect's drawings and specifications over rule any other, the Structural Engineers detail drawings.
2. All construction work to comply with the international standards codes protection.
3. The PV denotes permanent ventilation and must be provided above all doors and windows where indicated.
4. All walls less than 200mm thick are to be reinforced with hoop iron sheet every alternate course.
5. All reinforced concrete works to be done according to structural detail drawings.

No:	Date:	Description:
REVISION		

Implemented by:



International Organization for Migration (IOM)
The UN Migration Agency

Client:



Project Title:
**PROPOSED CONSTRUCTION OF IND
KISMAYO HQ BUILDING, JUBALAND
STATE - SOMALIA**

Drawing Title:
3D-08

SCALE: **AS SHOWN**

DATE: **FEB 2022**

DRAWN BY:

REVIEWED BY:

Sheet No.

A3



Notes

1. All dimensions are to be checked on site. Any discrepancy in dimensions is to be reported to the architect before any work commences. The Architect's drawings and specifications over rule any other, the Structural Engineers detail drawings.
2. All construction work to comply with the international standards codes protection.
3. The PV denotes permanent ventilation and must be provided above all doors and windows where indicated.
4. All walls less than 200mm thick are to be reinforced with hoop iron sheet every alternate course.
5. All reinforced concrete works to be done according to structural detail drawings

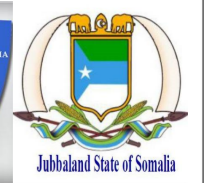
No:	Date:	Description:
REVISION		

Implemented by:



International Organization for Migration (IOM)
The UN Migration Agency

Client:



Project Title:

PROPOSED CONSTRUCTION OF IND
KISMAYO HQ BUILDING, JUBBALAND
STATE - SOMALIA

Drawing Title:

3D-09

SCALE: **AS SHOWN**

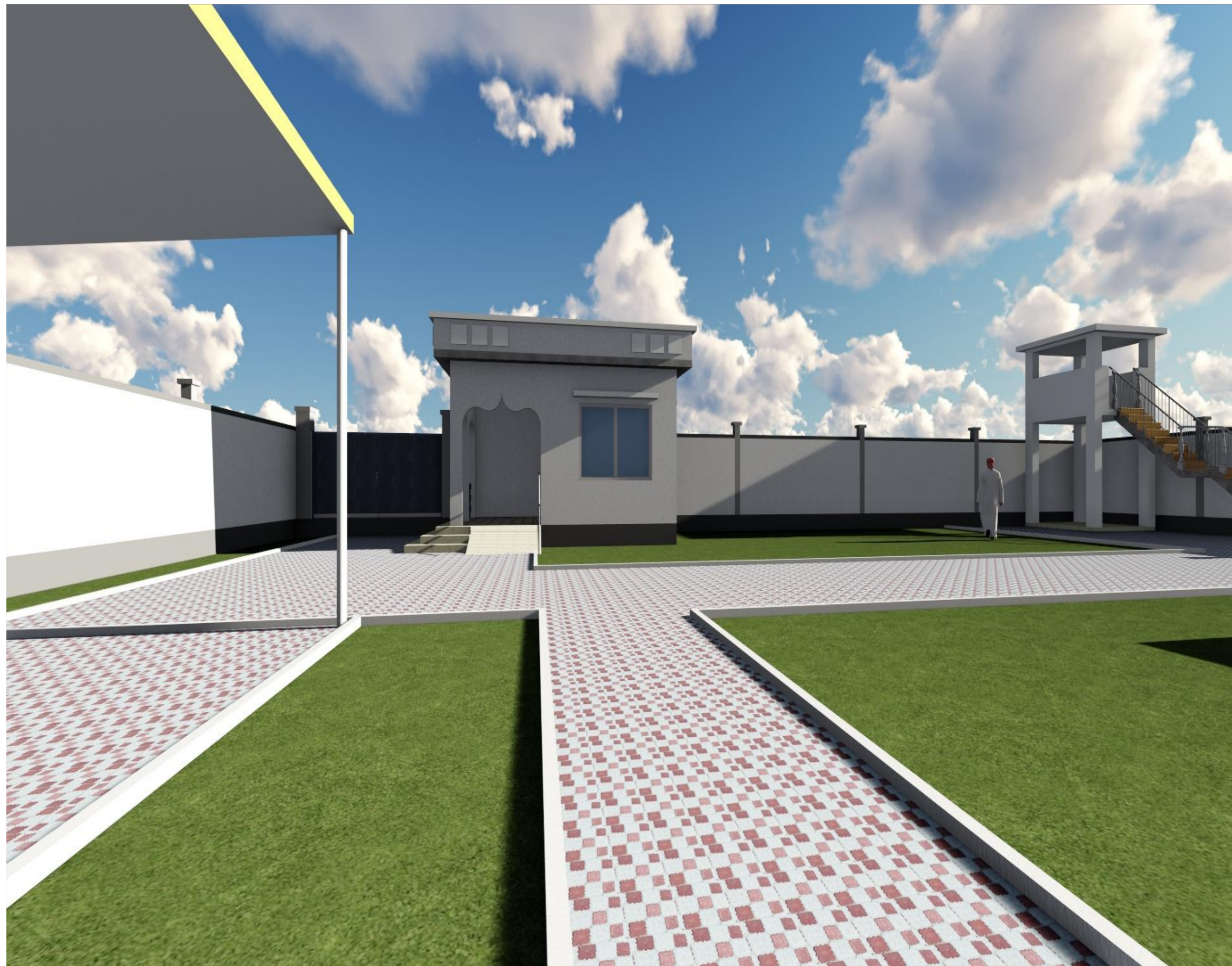
DATE: **FEB 2022**

DRAWN BY:

REVIEWED BY:

Sheet No.

A3



Notes

1. All dimensions are to be checked on site. Any discrepancy in dimensions is to be reported to the architect before any work commences. The Architect's drawings and specifications over rule any other, the Structural Engineers detail drawings.
2. All construction work to comply with the international standards codes protection.
3. The PV denotes permanent ventilation and must be provided above all doors and windows where indicated.
4. All walls less than 200mm thick are to be reinforced with hoop iron sheet every alternate course.
5. All reinforced concrete works to be done according to structural detail drawings

No:	Date:	Description:
REVISION		

Implemented by:



International Organization for Migration (IOM)
The UN Migration Agency

Client:



Project Title:
**PROPOSED CONSTRUCTION OF IND
KISMAYO HQ BUILDING, JUBBALAND
STATE - SOMALIA**

Drawing Title:
3D-10

SCALE: **AS SHOWN**

DATE: **FEB 2022**

DRAWN BY:

REVIEWED BY:

Sheet No.

A3



Notes

1. All dimensions are to be checked on site. Any discrepancy in dimensions is to be reported to the architect before any work commences. The Architect's drawings and specifications over rule any other, the Structural Engineers detail drawings.
2. All construction work to comply with the international standards codes protection.
3. The PV denotes permanent ventilation and must be provided above all doors and windows where indicated.
4. All walls less than 200mm thick are to be reinforced with hoop iron sheet every alternate course.
5. All reinforced concrete works to be done according to structural detail drawings

No:	Date:	Description:
REVISION		

Implemented by:



International Organization for Migration (IOM)
The UN Migration Agency

Client:



Project Title:
**PROPOSED CONSTRUCTION OF IND
KISMAYO HQ BUILDING, JUBBALAND
STATE - SOMALIA**

Drawing Title:
3D-11

SCALE: **AS SHOWN**

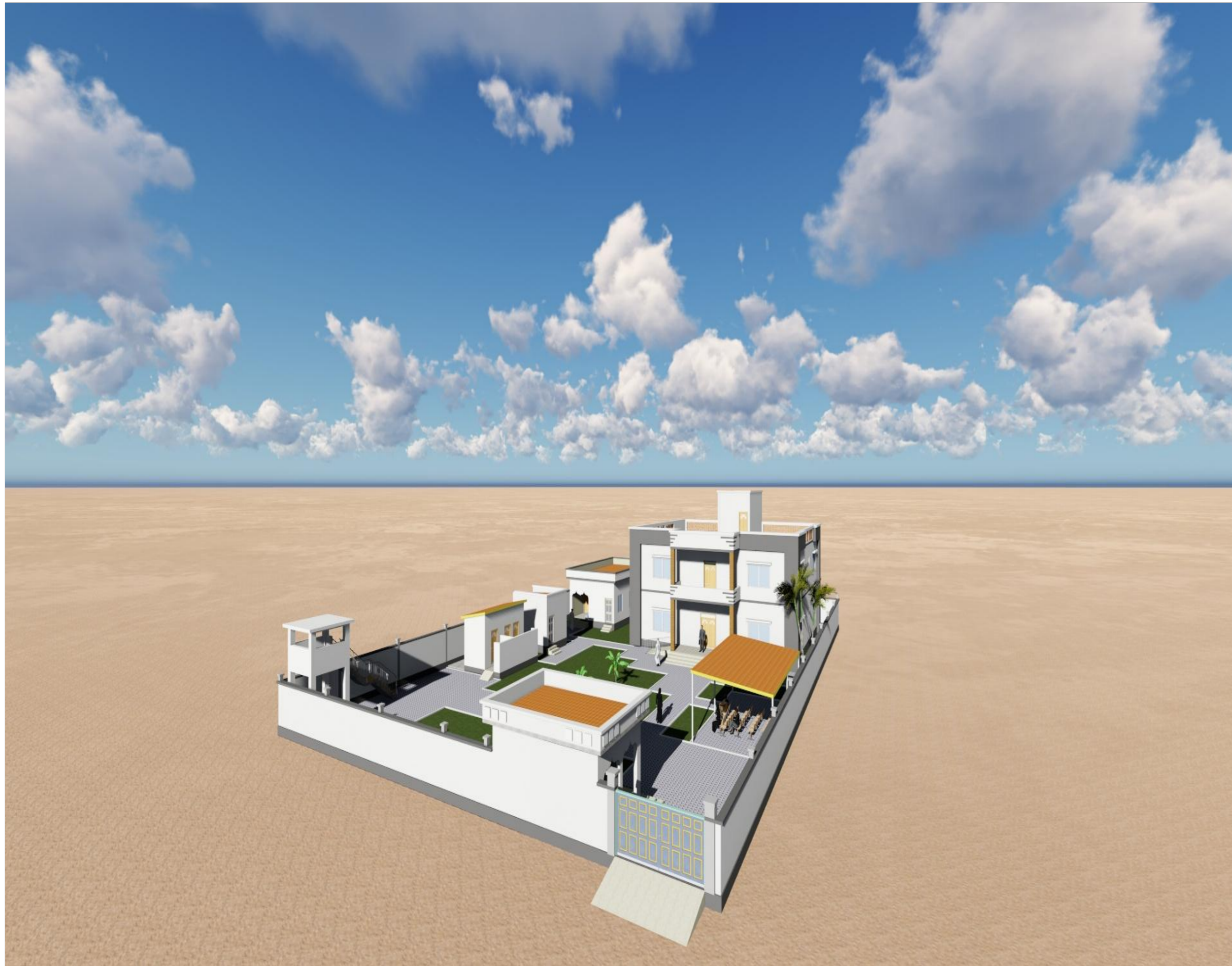
DATE: **FEB 2022**

DRAWN BY:

REVIEWED BY:

Sheet No.

A3



Notes

1. All dimensions are to be checked on site. Any discrepancy in dimensions is to be reported to the architect before any work commences. The Architect's drawings and specifications over rule any other, the Structural Engineers detail drawings.
2. All construction work to comply with the international standards codes protection.
3. The PV denotes permanent ventilation and must be provided above all doors and windows where indicated.
4. All walls less than 200mm thick are to be reinforced with hoop iron sheet every alternate course.
5. All reinforced concrete works to be done according to structural detail drawings.

No:	Date:	Description:
REVISION		

Implemented by:



International Organization for Migration (IOM)
The UN Migration Agency

Client:



Project Title:
**PROPOSED CONSTRUCTION OF IND
KISMAYO HQ BUILDING, JUBBALAND
STATE - SOMALIA**

Drawing Title:
3D-12

SCALE: **AS SHOWN**

DATE: **FEB 2022**

DRAWN BY:

REVIEWED BY:

Sheet No.

A3